

Suction plate (round) SGF 125 EPDM-55 G1/4-IG

<https://www.schmalz.com/10.01.01.12475>



Part no.: 10.01.01.12475

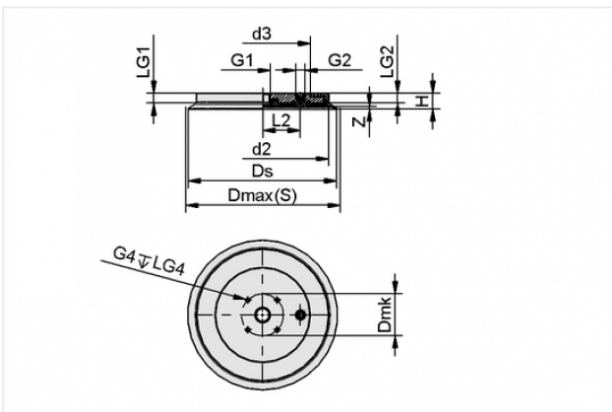
Homepage > Vacuum Technology for Automation > Vacuum Components > Vacuum Suction Cups > Suction Cups for Handling Glass > SGF 125 EPDM-55 G1/4-IG

Flat suction cup (round) for highly dynamic handling of glass



Size: 125
Suction cup material: EPDM
Material hardness: 55 °Sh
Connection: G1/4-F

Design Data



Attribute	Value
d2	100 mm
d3	70 mm
Dmax(S)	130 mm
Ds	123 mm
G1	G1/4"-F
G2	G1/4"-F
H	21.4 mm
L2	26.5 mm
LG1	14 mm
LG2	14 mm
Z	3 mm
D mk	58.3 mm
G4	M6-F

Contact to Schmalz

J. Schmalz GmbH | Johannes-Schmalz-Straße, 72293 Glatten, Deutschland | +49 7443 2403-102 | customercenter@schmalz.de

Attribute	Value
LG4	10.5 mm

Technical Data

Attribute	Value
Suction force	730 N
Suction force d2	470 N
Volume	43.784 cm ³
Curve radius (min) (convex)	1500 mm
Internal hose diameter (recom.)	9 mm
Size	125
Number of folds	0
Suction cup material	EPDM
Material hardness	55 °Sh
Weight	300 g
Product family	SGF

Spare Parts

Contact to Schmalz

**VRS-S G1/4-AG**

Part no. 10.08.06.00048
Sealing screw without collar
Thread 1: G1/4-M
Material: Brass
Surface: nickel plated

**DR-SGF 125 EPDM-55**

Part no. 10.01.01.12473
Rubber Seal for SGF suction cup
Size: 125
Suction cup material: EPDM
Material hardness: 55 °Sh

Accessories**TV G1/4-AG 13**

Part no. 10.05.10.00061
Touch valve for deactivation of unused suction cups or vacuum blocks
Thread G1: G1/4-M
Spring stroke Z: 13 mm



SIEB 19.5x1 MS 100

Part no. 10.07.01.00215

Screen

External diameter D: 19.5 mm

Length L: 1 mm

Material: Brass

Filter pore size: 100 µm



PC 125

Part no. 10.01.01.13086

Cover for suction cup

Size: 125



SU 120

Part no. 10.01.01.12437

Cover for suction cup

Size: 120

Clamping range: 115.0 ... 130.0 mm

Temperature resistance: 80 °C