

# Edge gripper suction cup (oval)

<https://www.schmalz.com/10.01.01.12463>



## SAOK 70x25 HT2-65 G3/8-IG

Part no.: 10.01.01.12463

Homepage > Vacuum Technology for Automation > Vacuum Components > Vacuum Suction Cups > Suction Cups for Handling Sheet Metal > Edge Gripper Suction Cups for Hot Forming SAOK HT2 (oval) > SAOK 70x25 HT2-65 G3/8-IG

### Edge gripper suction cup (oval) for dynamic handling of structured surfaces



Dimensions (LxB): 70 x 25 mm

Suction cup material:

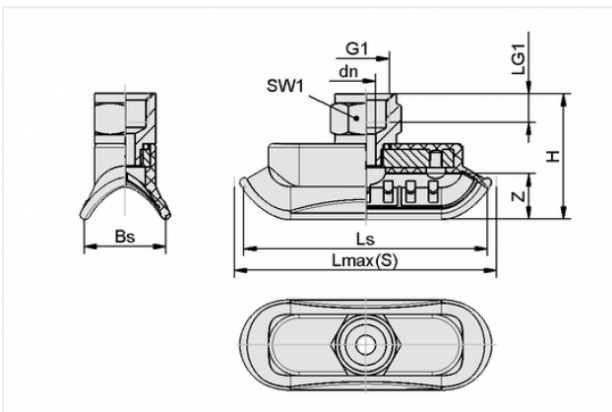
High temp material HT2

Material hardness: 65 °Sh

Vacuum connection: G3/8-F

Nipple material: Brass

### Design Data



Attribute	Value
-----------	-------

Bs	22.6 mm
----	---------

dn	6 mm
----	------

G1	G3/8"-F
----	---------

H	35.5 mm
---	---------

LG1	9 mm
-----	------

Lmax(S)	71 mm
---------	-------

Ls	67.2 mm
----	---------

SW1	22 mm
-----	-------

Z	12.8 mm
---	---------

### Contact to Schmalz

J. Schmalz GmbH | Johannes-Schmalz-Straße, 72293 Glatten, Deutschland | +49 7443 2403-102 | [customercenter@schmalz.de](mailto:customercenter@schmalz.de)

## Technical Data

Attribute	Value
Pull-off force	75 N
Pull-off force (oily surface)	59 N
Lateral force	42 N
Internal hose diameter (recom.)	6 mm
Dimensions (LxB)	70 x 25 mm
Workpiece angle (min)	80 °
Suction cup material	High temp material HT2
Weight	53.9 g
Number of folds	0

---

---