

Bellows suction cup (round)

<https://www.schmalz.com/10.01.06.01880>



SABT-C 80 NBR-60 M10-AG

Part no.: 10.01.06.01880

Homepage > Vacuum Technology for Automation > Vacuum Components > Vacuum Suction Cups > Suction Cups for Handling Sheet Metal >

Bellows Suction Cups SABT-C (1.5 Folds) > SABT-C 80 NBR-60 M10-AG

Bellows suction cup (round) for best dynamics on smooth, oily surfaces



Size: 80

Suction cup material:

Nitrile rubber NBR

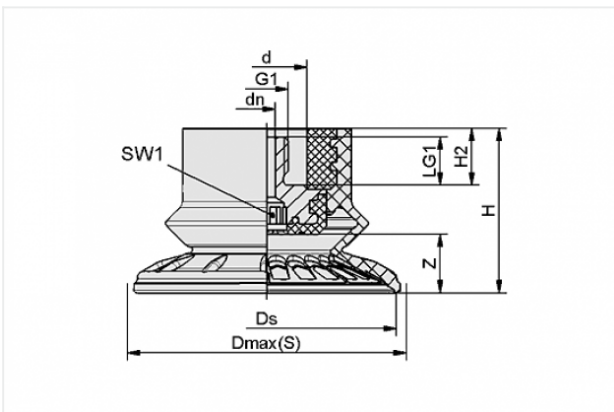
Material hardness: 60 °Sh

Nipple material: Aluminium

Vacuum connection: M10-M

Number of folds: 1.5

Design Data



Attribute	Value
-----------	-------

d	19 mm
---	-------

Dmax(S)	86 mm
---------	-------

dn	4 mm
----	------

Ds	83 mm
----	-------

H	39 mm
---	-------

H2	2 mm
----	------

LG1	11.5 mm
-----	---------

SW1	8 mm
-----	------

Z	14.3 mm
---	---------

G1	M10-M
----	-------

Contact to Schmalz

J. Schmalz GmbH | Johannes-Schmalz-Straße, 72293 Glatten, Deutschland | +49 7443 2403-102 | customercenter@schmalz.de

Technical Data

Attribute	Value
Number of folds	1.5
Size	80
Suction cup material	Nitrile rubber NBR
Suction force	135 N
Pull-off force	245 N
Lateral force	172 N
Lateral force (oily surface)	158 N
Volume	54 cm ³
Curve radius (min) (convex)	100 mm
Internal hose diameter (recom.)	6 mm
Product family	SABT-C

Spare Parts



SA-NIP N054 M10-AG DN400

Part no. 10.01.01.11942

Suction cup connection nipple

Nipple: N 054

Thread G1: M10-M

Overall length: 20.6 mm

Nominal size: 4,00 mm

Material: Aluminium

Spanner size SW2: 8 mm

Contact to Schmalz



SABT 80 NBR-60

Part no. 10.01.06.01879

Bellows suction cup (round) with 1.5 bellows

Size: 80

Suction cup material:

Nitrile rubber NBR

Material hardness: 60 °Sh

Number of folds: 1.5



REIB-SCHE 28x9.5 XNBR-45

Part no. 10.01.01.11994

Friction washer

External diameter D: 28 mm

Length L: 9.5 mm

Material: Perbunan XNBR 45±5ShA