

Bellows suction cup (round)

<https://www.schmalz.com/10.01.06.01878>



SABT-C 60 NBR-60 M10-AG

Part no.: 10.01.06.01878

Homepage > Vacuum Technology for Automation > Vacuum Components > Vacuum Suction Cups > Suction Cups for Handling Sheet Metal >

Bellows Suction Cups SABT-C (1.5 Folds) > SABT-C 60 NBR-60 M10-AG

Bellows suction cup (round) for best dynamics on smooth, oily surfaces



Size: 60

Suction cup material:

Nitrile rubber NBR

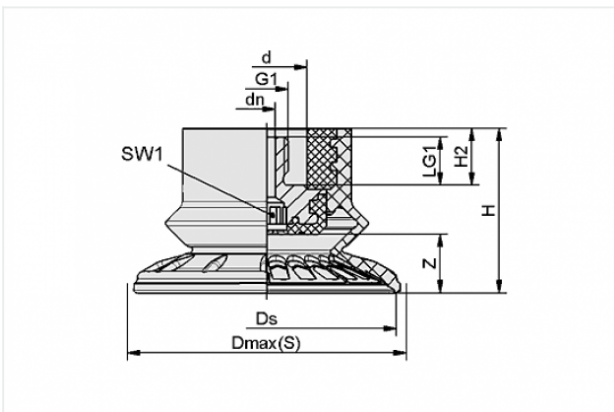
Material hardness: 60 °Sh

Nipple material: Aluminium

Vacuum connection: M10-M

Number of folds: 1.5

Design Data



| Attribute | Value |
|-----------|-------|
|-----------|-------|

| | |
|---|-------|
| d | 19 mm |
|---|-------|

| | |
|---------|-------|
| Dmax(S) | 66 mm |
|---------|-------|

| | |
|----|------|
| dn | 4 mm |
|----|------|

| | |
|----|-------|
| Ds | 63 mm |
|----|-------|

| | |
|---|-------|
| H | 39 mm |
|---|-------|

| | |
|----|------|
| H2 | 2 mm |
|----|------|

| | |
|-----|---------|
| LG1 | 11.5 mm |
|-----|---------|

| | |
|-----|------|
| SW1 | 8 mm |
|-----|------|

| | |
|---|---------|
| Z | 14.3 mm |
|---|---------|

| | |
|----|-------|
| G1 | M10-M |
|----|-------|

Contact to Schmalz

J. Schmalz GmbH | Johannes-Schmalz-Straße, 72293 Glatten, Deutschland | +49 7443 2403-102 | customercenter@schmalz.de

Technical Data

| Attribute | Value |
|---------------------------------|--------------------|
| Number of folds | 1.5 |
| Size | 60 |
| Suction cup material | Nitrile rubber NBR |
| Suction force | 82 N |
| Pull-off force | 137 N |
| Lateral force | 89 N |
| Lateral force (oily surface) | 84 N |
| Volume | 23 cm ³ |
| Curve radius (min) (convex) | 50 mm |
| Internal hose diameter (recom.) | 6 mm |
| Product family | SABT-C |

Spare Parts



SA-NIP N054 M10-AG DN400

Part no. 10.01.01.11942

Suction cup connection nipple

Nipple: N 054

Thread G1: M10-M

Overall length: 20.6 mm

Nominal size: 4,00 mm

Material: Aluminium

Spanner size SW2: 8 mm

Contact to Schmalz



SABT 60 NBR-60

Part no. 10.01.06.01877

Bellows suction cup (round) with 1.5 bellows

Size: 60

Suction cup material:

Nitrile rubber NBR

Material hardness: 60 °Sh

Number of folds: 1.5



REIB-SCHE 28x9.5 XNBR-45

Part no. 10.01.01.11994

Friction washer

External diameter D: 28 mm

Length L: 9.5 mm

Material: Perbunan XNBR 45±5ShA