

# Bellows suction cup (round)

<https://www.schmalz.com/10.01.06.00680>



## SAB 125 NBR-60 G3/8-IG

Part no.: 10.01.06.00680

Homepage > Vacuum Technology for Automation > Vacuum Components > Vacuum Suction Cups > Suction Cups for Handling Sheet Metal >

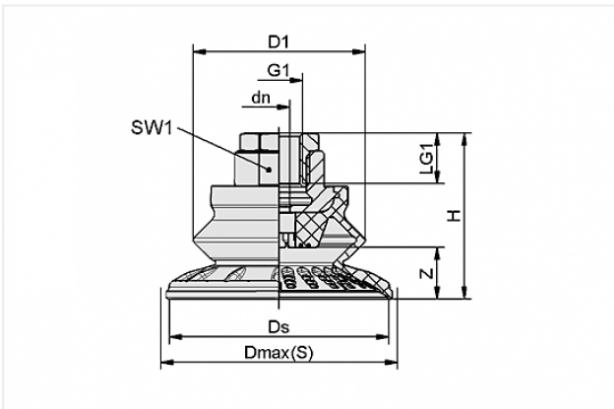
Bellows Suction Cups SAB (1.5 Folds) > SAB 125 NBR-60 G3/8-IG

## Bellows suction cup (round) for very dynamic handling of smooth and oily workpieces



Size: 125  
Suction cup material:  
Nitrile rubber NBR  
Material hardness: 60 °Sh  
Vacuum connection: G3/8-F  
Nipple material: Aluminium  
Number of folds: 1.5

### Design Data



Attribute	Value
dn	9 mm
D1	94 mm
Dmax(S)	135 mm
Ds	126 mm
G1	G3/8"-F
H	67.8 mm
LG1	15 mm
SW1	22 mm
Z	32 mm

### Contact to Schmalz

J. Schmalz GmbH | Johannes-Schmalz-Straße, 72293 Glatten, Deutschland | +49 7443 2403-102 | [customercenter@schmalz.de](mailto:customercenter@schmalz.de)

## Technical Data

Attribute	Value
Suction force	250 N
Pull-off force	558 N
Lateral force	352 N
Lateral force (oily surface)	335 N
Volume	220 cm <sup>3</sup>
Curve radius (min) (convex)	140 mm
Internal hose diameter (recom.)	9 mm
Size	125
Suction cup material	Nitrile rubber NBR
Material hardness	60 °Sh
Weight	170.2 g
Number of folds	1.5
Product family	SAB

### Note:

- Suction force: The specified suction forces are theoretical values at a vacuum of -0.6 bar and with a smooth, dry workpiece surface - they do not include a safety factor
- Lateral force: The specified lateral forces are values measured at a vacuum of -0.6 bar with a dry or oily, smooth, flat workpiece surface. Depending on the workpiece surface and its quality, the actual values may deviate from these values
- Hose diameter: The recommended hose diameter refers to a hose length of approx. 2 m