

# Bellows suction cup (round)

<https://www.schmalz.com/10.01.06.00998>



## SAB 60 NBR-60 M10-AG

Part no.: 10.01.06.00998

Homepage > Vacuum Technology for Automation > Vacuum Components > Vacuum Suction Cups > Suction Cups for Handling Sheet Metal >

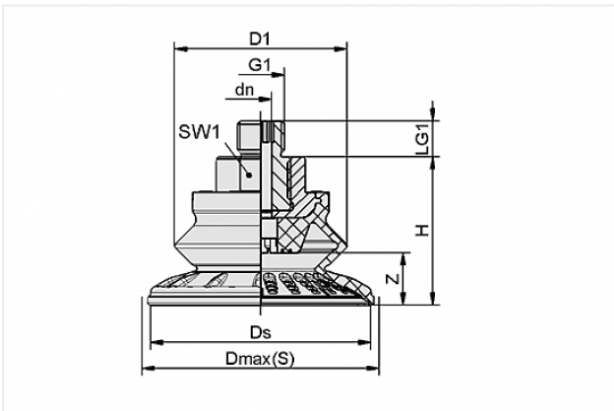
Bellows Suction Cups SAB (1.5 Folds) > SAB 60 NBR-60 M10-AG

## Bellows suction cup (round) for very dynamic handling of smooth and oily workpieces



Size: 60  
Suction cup material:  
Nitrile rubber NBR  
Material hardness: 60 °Sh  
Vacuum connection: M10-M  
Nipple material: Steel  
Number of folds: 1.5

### Design Data



Attribute	Value
dn	4 mm
D1	48 mm
Dmax(S)	67 mm
Ds	61.1 mm
G1	M10-M
H	41.3 mm
LG1	12 mm
SW1	22 mm
Z	14.5 mm

### Contact to Schmalz

J. Schmalz GmbH | Johannes-Schmalz-Straße, 72293 Glatten, Deutschland | +49 7443 2403-102 | [customercenter@schmalz.de](mailto:customercenter@schmalz.de)

## Technical Data

Attribute	Value
Suction force	82 N
Pull-off force	130 N
Lateral force	82 N
Lateral force (oily surface)	77 N
Volume	28.8 cm <sup>3</sup>
Curve radius (min) (convex)	65 mm
Internal hose diameter (recom.)	6 mm
Size	60
Suction cup material	Nitrile rubber NBR
Material hardness	60 °Sh
Weight	63.4 g
Number of folds	1.5
Product family	SAB

### Note:

- Suction force: The specified suction forces are theoretical values at a vacuum of -0.6 bar and with a smooth, dry workpiece surface - they do not include a safety factor
- Lateral force: The specified lateral forces are values measured at a vacuum of -0.6 bar with a dry or oily, smooth, flat workpiece surface. Depending on the workpiece surface and its quality, the actual values may deviate from these values
- Hose diameter: The recommended hose diameter refers to a hose length of approx. 2 m