

SC-A 055 G3/8-AG L

Part no.: 10.01.06.02809

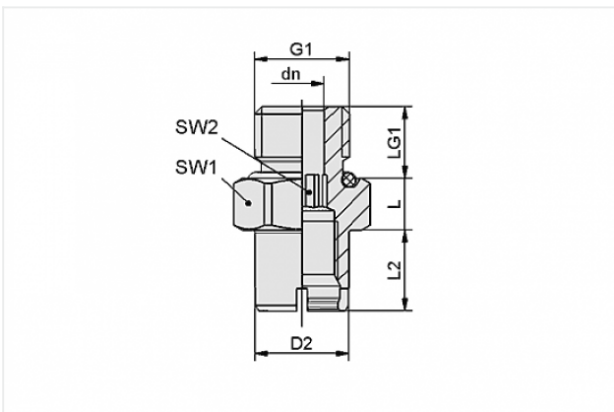
Homepage > Vacuum Technology for Automation > Vacuum Components > Vacuum Suction Cups > Suction Cups for Handling Sheet Metal > SC-A 055 G3/8-AG L

Schmalz-Connector upper part



Connection geometry: 055
Thread G1: G3/8-M
Fitting length: 7.7 mm
Construction: Self Locking

Design Data



Attribute	Value
dn	6.1 mm
D2	13 mm
G1	G3/8"-M
L	7.7 mm
L2	11.3 mm
LG1	10 mm
SW1	22 mm
SW2	6 mm

Technical Data

Contact to Schmalz



Attribute	Value
Connection geometry	055
Material	Aluminium
Weight	13.8 g