

# Bellows suction cup (oval)

<https://www.schmalz.com/10.01.06.03211>



## SAOB 140x70 HT1-60 G3/8-IG

Part no.: 10.01.06.03211

Homepage > Vacuum Technology for Automation > Vacuum Components > Vacuum Suction Cups > Bellows Suction Cups (Oval) > Bellows Suction Cups SAOB HT1 (Oval, 1.5 Folds) > SAOB 140x70 HT1-60 G3/8-IG

### Bellows suction cup (oval) for high dynamic on curved, oily surfaced workpieces



Dimensions (LxB): 140 x 70 mm

Suction cup material:

High temp material HT1

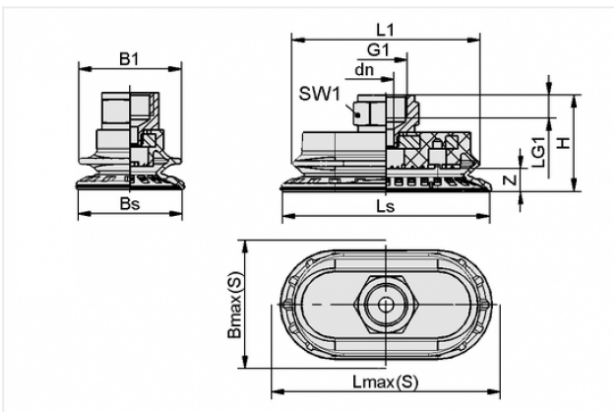
Material hardness: 60 °Sh

Nipple material: Brass, nickel-plated

Vacuum connection: G3/8-F

Number of folds: 1.5

### Design Data



Attribute	Value
-----------	-------

B1	67 mm
----	-------

Bmax(S)	75 mm
---------	-------

Bs	70.1 mm
----	---------

dn	8 mm
----	------

G1	G3/8"-F
----	---------

H	47.5 mm
---	---------

L1	126 mm
----	--------

LG1	9 mm
-----	------

Lmax(S)	146 mm
---------	--------

Ls	141.1 mm
----	----------

SW1	22 mm
-----	-------

Z	16.5 mm
---	---------

### Contact to Schmalz

J. Schmalz GmbH | Johannes-Schmalz-Straße, 72293 Glatten, Deutschland | +49 7443 2403-102 | [customercenter@schmalz.de](mailto:customercenter@schmalz.de)

## Technical Data

Attribute	Value
Suction force	165 N
Pull-off force	351.9 N
Lateral force	459 N
Lateral force (oily surface)	302.8 N
Volume	106 cm <sup>3</sup>
Curve radius (min) (convex)	70 mm
Internal hose diameter (recom.)	6 mm
Dimensions (LxB)	140 x 70 mm
Number of folds	1.5
Suction cup material	High temp material HT1
Material hardness	60 °Sh
Weight	117.4 g
Product family	SAOB

### Note:

- Suction force: The specified suction forces are theoretical values at a vacuum of -0.6 bar and with a smooth, dry workpiece surface - they do not include a safety factor
- Lateral force: The specified lateral forces are values measured at a vacuum of -0.6 bar with a dry or oily, smooth, flat workpiece surface. Depending on the workpiece surface and its quality, the actual values may deviate from these values
- Hose diameter: The recommended hose diameter refers to a hose length of approx. 2 m