

Flat suction cup (round)

SG 45 ECO-60 N031

Part no.: 10.01.01.00219

<https://www.schmalz.com/10.01.01.00219>



Homepage > Vacuum Technology for Automation > Vacuum Components > Vacuum Suction Cups > Suction Cups for Different Industries > SG 45 ECO-60 N031

Flat suction cup (round)

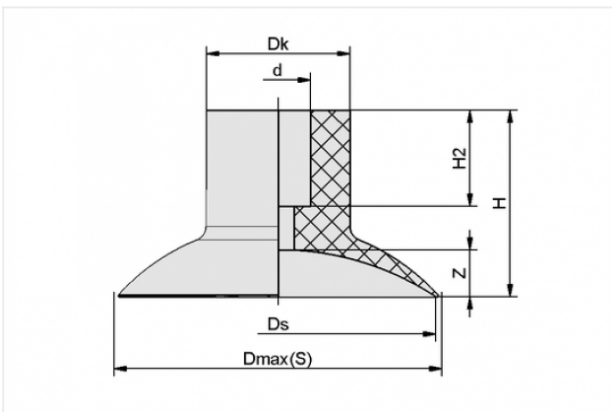


Size: 45

Suction cup material: Epichlor ECO

Material hardness: 60 °Sh

Design Data



Attribute	Value
-----------	-------

d	9 mm
---	------

Dk	20 mm
----	-------

Dmax(S)	50 mm
---------	-------

Ds	44.2 mm
----	---------

H	26 mm
---	-------

H2	13.4 mm
----	---------

Z	5 mm
---	------

Technical Data

Attribute	Value
-----------	-------

Suction force	50 N
---------------	------

Contact to Schmalz

J. Schmalz GmbH | Johannes-Schmalz-Straße, 72293 Glatten, Deutschland | +49 7443 2403-102 | customercenter@schmalz.de

Attribute	Value
Volume	6.141 cm ³
Curve radius (min) (convex)	50 mm
Size	45
Suction cup material	Epichlor ECO
Material hardness	60 °Sh
Weight	12.3 g

Accessories



SA-NIP N031 G1/4-AG DN550

Part no. 10.01.01.00327

Suction cup connection nipple

Nipple: N 031

Thread G1: G1/4-M

Overall length: 28 mm

Fitting length: 5 mm

Nominal size: 5,50 mm

Material: Aluminium

Spanner size SW2: 6 mm



SA-NIP N031 G1/4-IG DN550

Part no. 10.01.01.00328

Suction cup connection nipple

Nipple: N 031

Thread G1: G1/4-F

Overall length: 34 mm

Fitting length: 21 mm

Nominal size: 5,50 mm

Material: Aluminium

Spanner size SW2: 6 mm