

Bellows suction cup (round)

<https://www.schmalz.com/10.01.06.02994>



FSGA 6 NBR-55 M5-AG

Part no.: 10.01.06.02994

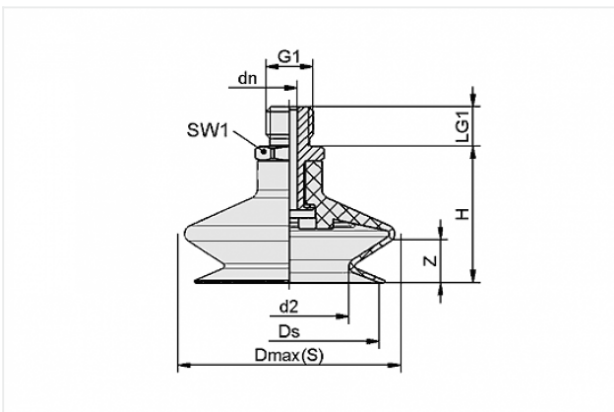
Homepage > Vacuum Technology for Automation > Vacuum Components > Vacuum Suction Cups > Bellows Suction Cups (Round) > Bellows Suction Cups FSGA (1.5 Folds) > FSGA 6 NBR-55 M5-AG

Bellows suction cup (round) with optimal adaptation to uneven surfaces



Size: 6
Number of folds: 1.5
Suction cup material:
Nitrile rubber NBR
Material hardness: 55 °Sh
Nipple material: Aluminium
Vacuum connection: M5-M

Design Data



Attribute	Value
-----------	-------

d2	3 mm
----	------

Dmax(S)	8 mm
---------	------

dn	2 mm
----	------

Ds	5.7 mm
----	--------

G1	M5-M
----	------

H	14 mm
---	-------

LG1	4.5 mm
-----	--------

SW1	8 mm
-----	------

Z	2 mm
---	------

Contact to Schmalz

J. Schmalz GmbH | Johannes-Schmalz-Straße, 72293 Glatten, Deutschland | +49 7443 2403-102 | customercenter@schmalz.de

Technical Data

Attribute	Value
Number of folds	1.5
Pull-off force	1.4 N
Size	6
Weight	1.5 g
Nipple	N 004
Suction cup material	Nitrile rubber NBR
Suction force	0.4 N
Internal hose diameter (recom.)	4 mm
Volume	0.111 cm ³
Material hardness	55 °Sh
Curve radius (min) (convex)	2 mm
Product family	FSGA

Note:

- Suction force: The specified suction forces are theoretical values at a vacuum of -0.6 bar and with a smooth, dry workpiece surface - they do not include a safety factor
- Pull-off force: The pull-off force of the versions made of natural rubber is reduced by about 40%
- Hose diameter: The recommended hose diameter refers to a hose length of approx. 2 m

Spare Parts

Contact to Schmalz



SA-NIP N004 M5-AG DN200

Part no. 10.01.01.03526

Suction cup connection nipple

Nipple: N 004

Thread G1: M5-M

Overall length: 13.5 mm

Fitting length: 5 mm

Nominal size: 2.00 mm

Material: Aluminium



FGA 6 NBR-55 N004

Part no. 10.01.06.02981

Bellows suction cup (round) with optimal adaptation to uneven surfaces

Size: 6

Suction cup material:

Nitrile rubber NBR

Material hardness: 55 °Sh

Number of folds: 1.5