

Bellows suction cup (round)

<https://www.schmalz.com/10.01.06.03000>



FSGA 6 HT1-60 M5-IG

Part no.: 10.01.06.03000

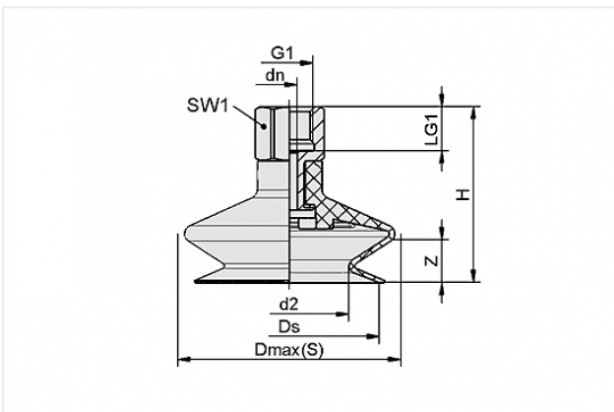
Homepage > Vacuum Technology for Automation > Vacuum Components > Vacuum Suction Cups > Bellows Suction Cups (Round) > Bellows Suction Cups FSGA (1.5 Folds) > FSGA 6 HT1-60 M5-IG

Bellows suction cup (round) with optimal adaptation to uneven surfaces



Size: 6
Number of folds: 1.5
Suction cup material:
High temp material HT1
Material hardness: 60 °Sh
Nipple material: Aluminium
Vacuum connection: M5-F

Design Data



Attribute	Value
-----------	-------

d2	3 mm
----	------

Dmax(S)	8 mm
---------	------

dn	2 mm
----	------

Ds	5.7 mm
----	--------

G1	M5-F
----	------

H	19 mm
---	-------

LG1	5.5 mm
-----	--------

SW1	8 mm
-----	------

Z	2 mm
---	------

Contact to Schmalz

J. Schmalz GmbH | Johannes-Schmalz-Straße, 72293 Glatten, Deutschland | +49 7443 2403-102 | customercenter@schmalz.de

Technical Data

Attribute	Value
Number of folds	1.5
Pull-off force	1.4 N
Size	6
Weight	1.5 g
Nipple	N 004
Suction cup material	High temp material HT1
Suction force	0.4 N
Internal hose diameter (recom.)	4 mm
Volume	0.098 cm ³
Material hardness	60 °Sh
Curve radius (min) (convex)	2 mm
Product family	FSGA

Note:

- Suction force: The specified suction forces are theoretical values at a vacuum of -0.6 bar and with a smooth, dry workpiece surface - they do not include a safety factor
- Pull-off force: The pull-off force of the versions made of natural rubber is reduced by about 40%
- Hose diameter: The recommended hose diameter refers to a hose length of approx. 2 m

Spare Parts

Contact to Schmalz



SA-NIP N004 M5-IG DN200

Part no. 10.01.01.03518
Suction cup connection nipple
Nipple: N 004
Thread G1: M5-F
Overall length: 14 mm
Fitting length: 10 mm
Nominal size: 2.00 mm
Material: Aluminium



FGA 6 HT1-60 N004

Part no. 10.01.06.02603
Bellows suction cup (round) with optimal adaptation to uneven surfaces
Size: 6
Suction cup material:
High temp material HT1
Material hardness: 60 °Sh
Number of folds: 1.5

Accessories



SPI 6 PEEK

Part no. 10.01.06.03279
Insert disc for preventing film from being drawn in
Size: 6
Material: Polyetheretherketon
Application: FG5/FGA6