

Floating suction cup

SBS 100 HF G1/8-IG

<https://www.schmalz.com/10.01.01.12689>



Part no.: 10.01.01.12689

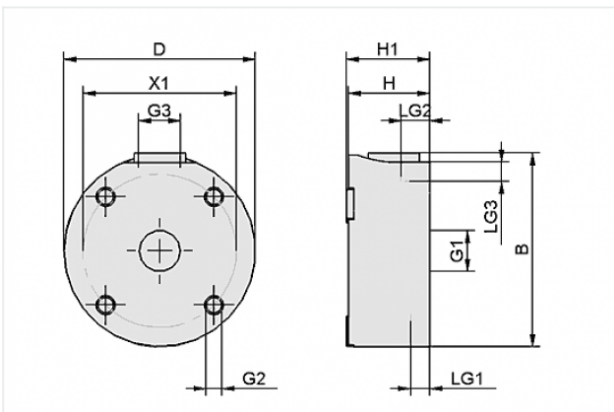
Homepage > Vacuum Technology for Automation > Vacuum Components > Special Grippers > Floating Suction Cups > Floating Suction Cups SBS
> SBS 100 HF G1/8-IG

Floating suction cup for handling sensitive workpieces



Diameter: 100 mm
Shape: High Flow
Compressed-air connection: G1/8-F

Design Data



Attribute	Value
-----------	-------

B	101 mm
---	--------

D	100 mm
---	--------

G1	G1/8"-F
----	---------

G2	M4-F
----	------

G3	G1/8"-F
----	---------

H	17 mm
---	-------

H1	17.5 mm
----	---------

LG1	5 mm
-----	------

LG2	6 mm
-----	------

LG3	6 mm
-----	------

X1	75 mm
----	-------

Contact to Schmalz

J. Schmalz GmbH | Johannes-Schmalz-Straße, 72293 Glatten, Deutschland | +49 7443 2403-102 | customercenter@schmalz.de

Technical Data

Attribute	Value
Holding force	55.5 N
Air consumption	25.2 m ³ /h
Air consumption	420 l/min
Pressure range (operating pressure)	1.0 ... 6.0 bar
Weight	295 g

Note:

- Air consumption: The values provided are based on an operating pressure of 5 bar, measured on a suction-tight workpiece. The actual values may differ depending on the properties of the workpiece.

Spare Parts



REIB-FL SBS HT1-60

Part no. 10.01.01.12593

Friction Surface to increase lateral forces
for: Floating suction pad

Suction cup material:

High temp material HT1

Material hardness: 60 °Sh