

# Floating suction cup

## SBS 40 SF G1/8-IG

<https://www.schmalz.com/10.01.01.12638>



Part no.: 10.01.01.12638

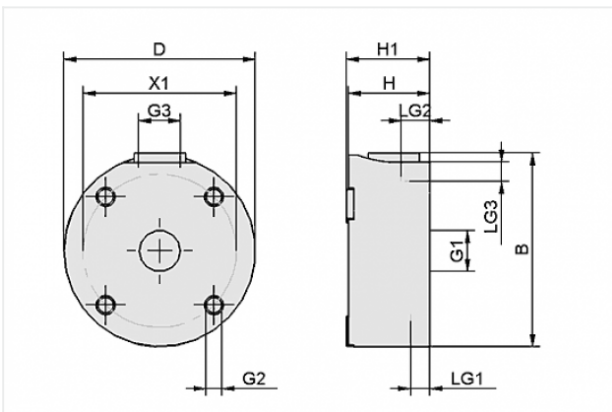
Homepage > Vacuum Technology for Automation > Vacuum Components > Special Grippers > Floating Suction Cups > Floating Suction Cups SBS  
> SBS 40 SF G1/8-IG

## Floating suction cup for handling sensitive workpieces



Diameter: 40 mm  
Shape: Standard Flow  
Compressed-air connection: G1/8-F

## Design Data



Attribute	Value
-----------	-------

B	41 mm
---	-------

D	40 mm
---	-------

G1	G1/8"-F
----	---------

G2	M4-F
----	------

G3	G1/8"-F
----	---------

H	17 mm
---	-------

H1	17.5 mm
----	---------

LG1	5 mm
-----	------

LG2	6 mm
-----	------

LG3	6 mm
-----	------

X1	32 mm
----	-------

## Contact to Schmalz

J. Schmalz GmbH | Johannes-Schmalz-Straße, 72293 Glatten, Deutschland | +49 7443 2403-102 | [customercenter@schmalz.de](mailto:customercenter@schmalz.de)

## Technical Data

Attribute	Value
Holding force	6.5 N
Air consumption	6 m <sup>3</sup> /h
Air consumption	100 l/min
Pressure range (operating pressure)	1.0 ... 6.0 bar
Weight	51 g

### Note:

- Air consumption: The values provided are based on an operating pressure of 5 bar, measured on a suction-tight workpiece. The actual values may differ depending on the properties of the workpiece.

## Spare Parts



### REIB-FL SBS HT1-60

Part no. 10.01.01.12593

Friction Surface to increase lateral forces  
for: Floating suction pad

Suction cup material:

High temp material HT1

Material hardness: 60 °Sh