

# Flat suction cup (oval)

<https://www.schmalz.com/10.01.05.00571>



## SAOF 90x30 NBR-45 RA

Part no.: 10.01.05.00571

Homepage > Vacuum Technology for Automation > Vacuum Components > Vacuum Suction Cups > Flat Suction Cups (Oval) > Flat Suction Cups  
SAOF (Oval) > SAOF 90x30 NBR-45 RA

### Flat suction cup (oval) for very dynamic handling of smooth and oily workpieces



Dimensions (LxB): 90 x 30 mm

Suction cup material:

Nitrile rubber NBR

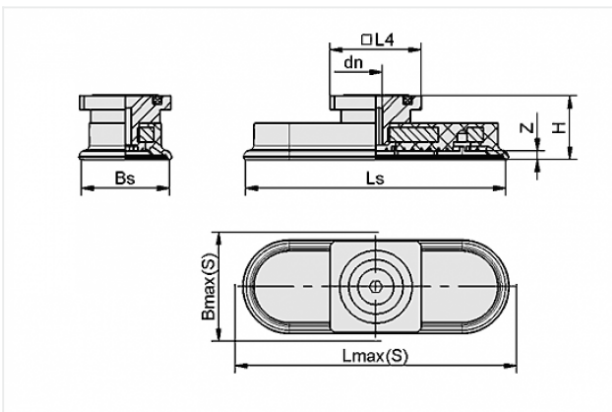
Material hardness: 45 °Sh

Nipple material: Aluminium

Vacuum connection:

Rectangular adapter

#### Design Data



Attribute	Value
-----------	-------

Bmax(S)	34 mm
---------	-------

Bs	30.6 mm
----	---------

dn	4 mm
----	------

H	22 mm
---	-------

L4	32 mm
----	-------

Lmax(S)	94 mm
---------	-------

Ls	90.6 mm
----	---------

Z	3 mm
---	------

#### Technical Data

#### Contact to Schmalz

J. Schmalz GmbH | Johannes-Schmalz-Straße, 72293 Glatten, Deutschland | +49 7443 2403-102 | [customercenter@schmalz.de](mailto:customercenter@schmalz.de)

Attribute	Value
Suction force	122 N
Lateral force	96 N
Lateral force (oily surface)	64 N
Volume	10.1 cm <sup>3</sup>
Curve radius (min) (convex)	40 mm
Internal hose diameter (recom.)	4 mm
Dimensions (LxB)	90 x 30 mm
Number of folds	0
Suction cup material	Nitrile rubber NBR
Material hardness	45 °Sh
Weight	48 g
Product family	SAOF

**Note:**

- Suction force: The specified suction forces are theoretical values at a vacuum of -0.6 bar and with a smooth, dry workpiece surface - they do not include a safety factor
- Lateral force: The specified lateral forces are values measured at a vacuum of -0.6 bar with a dry or oily, smooth, flat workpiece surface. Depending on the workpiece surface and its quality, the actual values may deviate from these values
- Hose diameter: The recommended hose diameter refers to a hose length of approx. 2 m