

Flat suction cup (oval)

SAOF 90x30 NBR-45 G1/4-IG

<https://www.schmalz.com/10.01.05.00569>



Part no.: 10.01.05.00569

Homepage > Vacuum Technology for Automation > Vacuum Components > Vacuum Suction Cups > Flat Suction Cups (Oval) > Flat Suction Cups SAOF (Oval) > SAOF 90x30 NBR-45 G1/4-IG

Flat suction cup (oval) for very dynamic handling of smooth and oily workpieces



Dimensions (LxB): 90 x 30 mm

Suction cup material:

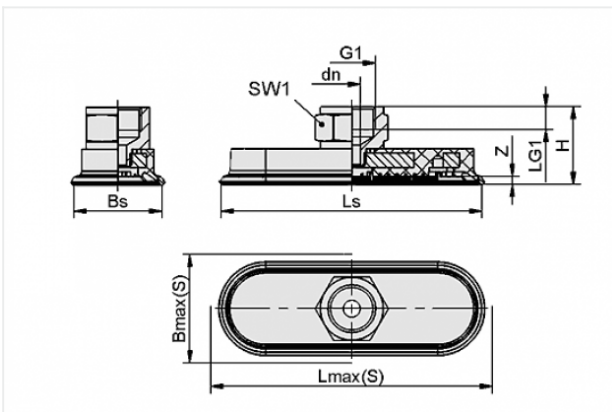
Nitrile rubber NBR

Material hardness: 45 °Sh

Nipple material: Brass, nickel-plated

Vacuum connection: G1/4-F

Design Data



Attribute	Value
-----------	-------

Bmax(S)	34 mm
---------	-------

Bs	30.6 mm
----	---------

dn	6 mm
----	------

G1	G1/4"-F
----	---------

H	26 mm
---	-------

LG1	8 mm
-----	------

Lmax(S)	94 mm
---------	-------

Ls	90.6 mm
----	---------

SW1	17 mm
-----	-------

Z	3 mm
---	------

Contact to Schmalz

J. Schmalz GmbH | Johannes-Schmalz-Straße, 72293 Glatten, Deutschland | +49 7443 2403-102 | customercenter@schmalz.de

Technical Data

Attribute	Value
Suction force	122 N
Lateral force	96 N
Lateral force (oily surface)	64 N
Volume	10.1 cm ³
Curve radius (min) (convex)	40 mm
Internal hose diameter (recom.)	4 mm
Dimensions (LxB)	90 x 30 mm
Number of folds	0
Suction cup material	Nitrile rubber NBR
Material hardness	45 °Sh
Weight	47 g
Product family	SAOF

Note:

- Suction force: The specified suction forces are theoretical values at a vacuum of -0.6 bar and with a smooth, dry workpiece surface - they do not include a safety factor
 - Lateral force: The specified lateral forces are values measured at a vacuum of -0.6 bar with a dry or oily, smooth, flat workpiece surface. Depending on the workpiece surface and its quality, the actual values may deviate from these values
 - Hose diameter: The recommended hose diameter refers to a hose length of approx. 2 m
-
-