

Flat suction cup (oval)

SAOF 80x40 NBR-45 G3/8-IG

<https://www.schmalz.com/10.01.05.00579>



Part no.: 10.01.05.00579

Homepage > Vacuum Technology for Automation > Vacuum Components > Vacuum Suction Cups > Flat Suction Cups (Oval) > Flat Suction Cups SAOF (Oval) > SAOF 80x40 NBR-45 G3/8-IG

Flat suction cup (oval) for very dynamic handling of smooth and oily workpieces



Dimensions (LxB): 80 x 40 mm

Suction cup material:

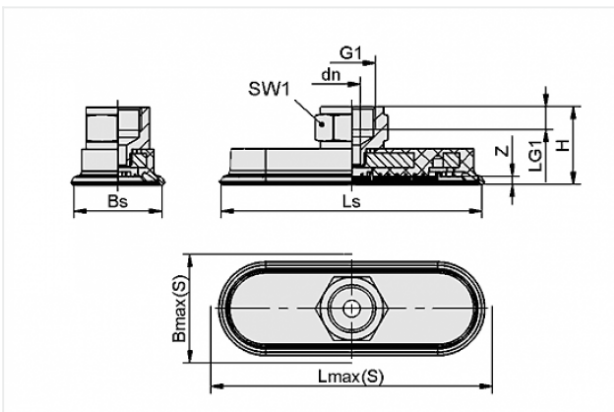
Nitrile rubber NBR

Material hardness: 45 °Sh

Nipple material: Brass, nickel-plated

Vacuum connection: G3/8-F

Design Data



| Attribute | Value |
|-----------|-------|
|-----------|-------|

| | |
|---------|-------|
| Bmax(S) | 43 mm |
|---------|-------|

| | |
|----|---------|
| Bs | 38.6 mm |
|----|---------|

| | |
|----|------|
| dn | 6 mm |
|----|------|

| | |
|----|---------|
| G1 | G3/8"-F |
|----|---------|

| | |
|---|-------|
| H | 28 mm |
|---|-------|

| | |
|-----|------|
| LG1 | 9 mm |
|-----|------|

| | |
|---------|-------|
| Lmax(S) | 85 mm |
|---------|-------|

| | |
|----|---------|
| Ls | 80.6 mm |
|----|---------|

| | |
|-----|-------|
| SW1 | 22 mm |
|-----|-------|

| | |
|---|------|
| Z | 4 mm |
|---|------|

Contact to Schmalz

J. Schmalz GmbH | Johannes-Schmalz-Straße, 72293 Glatten, Deutschland | +49 7443 2403-102 | customercenter@schmalz.de

Technical Data

| Attribute | Value |
|---------------------------------|----------------------|
| Suction force | 140 N |
| Lateral force | 110 N |
| Lateral force (oily surface) | 100 N |
| Volume | 11.7 cm ³ |
| Curve radius (min) (convex) | 50 mm |
| Internal hose diameter (recom.) | 4 mm |
| Dimensions (LxB) | 80 x 40 mm |
| Number of folds | 0 |
| Suction cup material | Nitrile rubber NBR |
| Material hardness | 45 °Sh |
| Weight | 55 g |
| Product family | SAOF |

Note:

- Suction force: The specified suction forces are theoretical values at a vacuum of -0.6 bar and with a smooth, dry workpiece surface - they do not include a safety factor
- Lateral force: The specified lateral forces are values measured at a vacuum of -0.6 bar with a dry or oily, smooth, flat workpiece surface. Depending on the workpiece surface and its quality, the actual values may deviate from these values
- Hose diameter: The recommended hose diameter refers to a hose length of approx. 2 m