

Area Gripping System

FQE-V Xc OV 400x280 SW80 SPB2 F

Part no...:10.01.44.00568

<https://www.schmalz.com/10.01.44.00568>

Home > Vacuum Technology for Automation > Vacuum Components > Area Gripping Systems and End Effectors > Area Gripping Systems FQE > Area Gripping Systems FQE-V Xc > FQE-V Xc OV 400x280 SW80 SPB2 F

Large-area vacuum gripping system with flow resistances



Shape: Integrated vacuum generation

Form: Oval

Length L: 400 mm

Width B: 280 mm

Height H: 115.3 mm

Nozzle diameter: 0.8 mm

Add. function: Filter

Suct. cups: Bellows suction cups SPB2

Diameter D_s: 40 mm

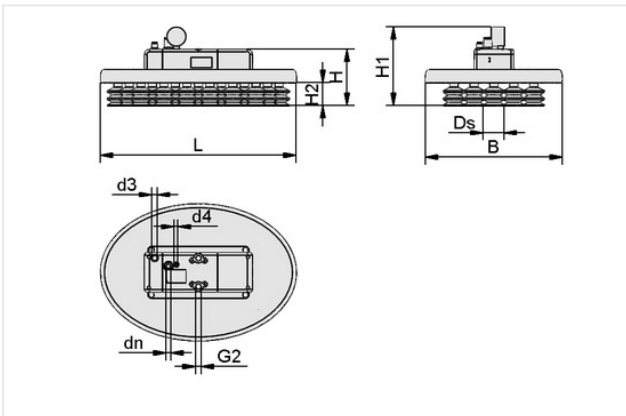
Number of suction cells: 34

Number of ejectors: 3

Design: Ejector module SEP

Control valve: Normally open

Design Data



Attribute	Value
B	280 mm
dn	10 mm
D _s	40 mm
G2	M5-F
H	115.30 mm
H1	160.80 mm
H2	47 mm
L	400 mm
Suction cup type	Bellows suction cups SPB2

Technical Data

Attribute	Value
Shape	Integrated vacuum generation
Form	Oval
Nozzle diameter	0.80 mm
Control valve	Normally open

Contact Schmalz

J. Schmalz GmbH | Johannes-Schmalz-Str.1, 72293 Glatten, Germany | +49 7443 2403-102 | customercenter@schmalz.de

Area Gripping System

FQE-V Xc OV 400x280 SW80 SPB2 F

Part no...:10.01.44.00568

<https://www.schmalz.com/10.01.44.00568>

Construction shape vacuum switch	PNP switching
Number of suction cells	34

Accessories



ASK B-M12-5 5000 K-5P

Part no...:21.04.05.00080

Electrical connection: Fem connect M12, 5 pol

Cable length: 5,000 mm

Material hose: PUR cable



ASK WB-M12-5 5000 K-4P

Part no...:21.04.05.00557

Electrical connection: Elbow fem con M12, 5pol

Material hose: PUR cable

Cable length: 5,000 mm



VAM 40 V U BAR

Part no...:10.07.02.00046

External diameter D: 40 mm

Measuring range: -1,00 ... 0,00 bar

Contact Schmalz

J. Schmalz GmbH | Johannes-Schmalz-Str.1, 72293 Glatten, Germany | +49 7443 2403-102 | customercenter@schmalz.de

Area Gripping System

FQE-V Xc OV 400x280 SW80 SPB2 F

Part no...:10.01.44.00568

<https://www.schmalz.com/10.01.44.00568>



VSi V D M8-4

Part no...:10.06.02.00577

Measuring range: -1,0 ... 0,0 bar

Construction shape vacuum switch: with display

Electrical connection: Male connect M8, 4 pole

Indication: 2xLED

Protection type IP: IP 65

Spare parts



GK 73.9x80.5x41.2 FQE

Part no...:10.01.44.00030

Length L: 73.9 mm

Width B: 80.5 mm



SW 80 P 7.3

Part no...:10.05.04.00090

Shape: Push In

Length L: 15.5 mm

Material: Polyoxymethylene

External diameter D: 7.3 mm

Area Gripping System

FQE-V Xc OV 400x280 SW80 SPB2 F

Part no...:10.01.44.00568

<https://www.schmalz.com/10.01.44.00568>



SPB2 40 SI-55 P

Part no...:10.01.06.03126

Size: 40

Suction cup material: Silicone SI

Material hardness [Shore A]: 55 Shore A

Number of folds: 2.5

Shape: Push In



FD 34 120

Part no...:10.01.06.02572

External diameter D: 34 mm

Filter pore size: 120 µm

Construction use: Bellows suction cup

Size: FG 42