

Area Gripping System

FQE-V Xc R 230x120 SW80 O20

Part no...:10.01.44.00584

<https://www.schmalz.com/10.01.44.00584>

Home > Vacuum Technology for Automation > Vacuum Components > Area Gripping Systems and End Effectors > Area Gripping Systems FQE > Area Gripping Systems FQE-V Xc > FQE-V Xc R 230x120 SW80 O20

Large-area vacuum gripping system with flow resistances



Shape: Integrated vacuum generation

Form: Rectangular

Length L: 230 mm

Width B: 120 mm

Height H: 86.3 mm

Nozzle diameter: 0.8 mm

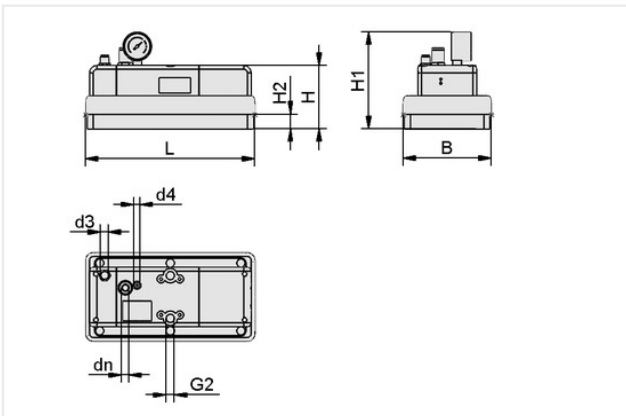
Number of suction cells: 48

Number of ejectors: 3

Design: Ejector module SEP

Control valve: Normally open

Design Data



Attribute	Value
B	120 mm
dn	10 mm
G2	M5-F
H	86.30 mm
H1	112.30 mm
H2	20 mm
L	230 mm

Technical Data

Attribute	Value
Shape	Integrated vacuum generation
Form	Rectangular
Nozzle diameter	0.80 mm
Control valve	Normally open
Construction shape vacuum switch	PNP switching
Material type	Foam O, Height 20 mm
Number of suction cells	48

Contact Schmalz

J. Schmalz GmbH | Johannes-Schmalz-Str.1, 72293 Glatten, Germany | +49 7443 2403-102 | customercenter@schmalz.de

Area Gripping System

FQE-V Xc R 230x120 SW80 O20

Part no...:10.01.44.00584

<https://www.schmalz.com/10.01.44.00584>

Accessories



ASK B-M12-5 5000 K-5P

Part no...:21.04.05.00080

Electrical connection: Fem connect M12, 5 pol

Cable length: 5,000 mm

Material hose: PUR cable



ASK WB-M12-5 5000 K-4P

Part no...:21.04.05.00557

Electrical connection: Elbow fem con M12, 5pol

Material hose: PUR cable

Cable length: 5,000 mm



VAM 40 V U BAR

Part no...:10.07.02.00046

External diameter D: 40 mm

Measuring range: -1,00 ... 0,00 bar

Area Gripping System

FQE-V Xc R 230x120 SW80 O20

Part no...:10.01.44.00584

<https://www.schmalz.com/10.01.44.00584>



VSi V D M8-4

Part no...:10.06.02.00577

Measuring range: -1,0 ... 0,0 bar

Construction shape vacuum switch: with display

Electrical connection: Male connect M8, 4 pole

Indication: 2xLED

Protection type IP: IP 65

Spare parts



GK 73.9x80.5x41.2 FQE

Part no...:10.01.44.00030

Length L: 73.9 mm

Width B: 80.5 mm



DI-PL 226x116 20x17.3 ZYL-D10 O20 KE

Part no...:10.01.44.00582

Length L: 226 mm

Width B: 116 mm

Grid: 20 x 17

Material type: Foam O, Height 20 mm

Add. function: Adhesive tape on one side