

Matrix - Area Gripper

FMG 180x60x120 30 12 20-HT1

Part no...:10.12.10.00024

<https://www.schmalz.com/10.12.10.00024>

Home > Vacuum Technology for Automation > Vacuum Components > Area Gripping Systems and End Effectors > Matrix Area Grippers FMG > FMG 180x60x120 30 12 20-HT1

Vacuum area gripper with individually activatable suction points



Length L: 180 mm

Width B: 60 mm

Height H: 120 mm

Greiferabstand: 30 mm

Number of cups: 12

Diameter Ds: 20 mm

Suction cup material: High temperature material HT1

Suction cup stroke Zs: 5 mm

Cylinder stroke Z: 10 mm

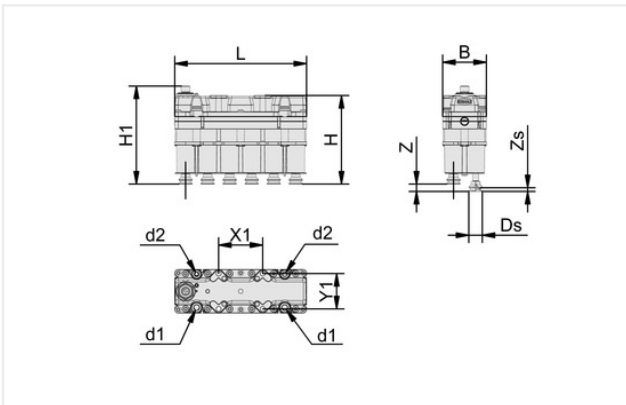
Communication: IO-Link (Class B)

Electrical connection: Male connect M12, 5 pol

Pressure range (operating pressure): 4.0 ... 6.0 bar

Operating temperature (max.): 50 °C

Design Data



Attribute	Value
B	60 mm
d1	8 mm
d2	6 mm
Ds	20 mm
H	120 mm
H1	133 mm
L	180 mm
X1	60 mm
Y1	48 mm
Z	10 mm
Zs	5 mm

Technical Data

Attribute	Value
Number of cups	12
Suction cup material	High temperature material HT1

Contact Schmalz

J. Schmalz GmbH | Johannes-Schmalz-Str.1, 72293 Glatten, Germany | +49 7443 2403-102 | customercenter@schmalz.de

Matrix - Area Gripper

FMG 180x60x120 30 12 20-HT1

Part no...:10.12.10.00024

<https://www.schmalz.com/10.12.10.00024>

Communication	IO-Link (Class B)
Pressure range (operating pressure)	4.0 ... 6.0 bar
Pressure (max.)	6 bar
Operating temperature (max.)	50 °C
Weight	995 g

Accessories



FGA 12 HT1-60 N016

Part no...:10.01.06.05776

Size: 12

Suction cup material: High temperature material HT1

Material hardness [Shore A]: 60 Shore A

Number of folds: 1.5

Application: Sheet metal / metal



ASK B-M12-5 1000 S-M12-5

Part no...:21.04.05.00158

Pressure range (operating pressure): bar

Electrical connection: Fem connect M12, 5 pol

Cable length: 1,000 mm

Material hose: PUR cable

Matrix - Area Gripper

FMG 180x60x120 30 12 20-HT1

Part no.:10.12.10.00024

<https://www.schmalz.com/10.12.10.00024>



ASK B-M12-5 2000 S-M12-5

Part no.:21.04.05.00211

Pressure range (operating pressure): bar

Electrical connection: Fem connect M12, 5 pol

Cable length: 2,000 mm

Material hose: PUR cable



ASK B-M12-5 5000 S-M12-5

Part no.:21.04.05.00266

Cable length: 5,000 mm

Material hose: PUR cable



VSL 6-4 PU MI-TR

Part no.:10.07.09.00002

External diameter D: 6 mm

Internal diameter d: 4 mm

Length max.: 500 m

Material hose: PU

Bending radius min.: 35 mm

Pressure range (operating pressure): -0.95 ... 10.00 bar

Operating temperature: -20 ... 90 °C

Matrix - Area Gripper

FMG 180x60x120 30 12 20-HT1

Part no.:10.12.10.00024

<https://www.schmalz.com/10.12.10.00024>



VSL 8-6 PU MI-TR

Part no.:10.07.09.00003

External diameter D: 8 mm

Internal diameter d: 6 mm

Length max.: 500 m

Material hose: PU

Bending radius min.: 45 mm

Pressure range (operating pressure): -0.95 ... 10.00 bar

Operating temperature: -35 ... 60 °C

Spare parts



ERS-SET-STF FMG 4x6

Part no.:10.12.10.00048

Size: 4x6



ERS FMG-VENT-EINH

Part no.:10.12.10.00049

Size: VENT-EINH

Matrix - Area Gripper

FMG 180x60x120 30 12 20-HT1

Part no...:10.12.10.00024

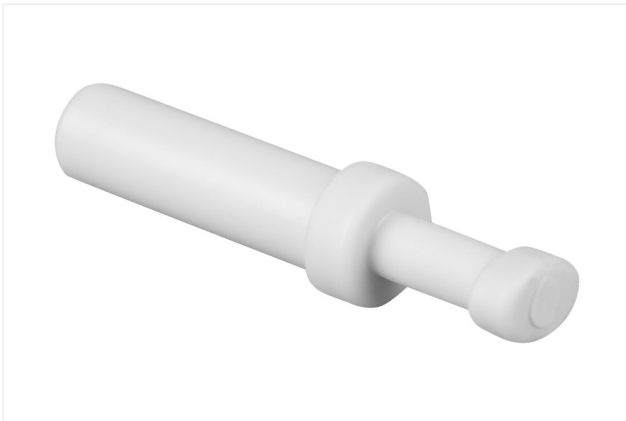
<https://www.schmalz.com/10.12.10.00024>



ERS FMG-GK

Part no...:10.12.10.00050

Size: GK



VRS-STE 6x14.4

Part no...:10.08.06.00012

Operating temperature: °C

External diameter D: 6 mm

Length L: 14.4 mm



VRS-STE 8x18.5

Part no...:10.08.06.00013

Operating temperature: °C

External diameter D: 8 mm

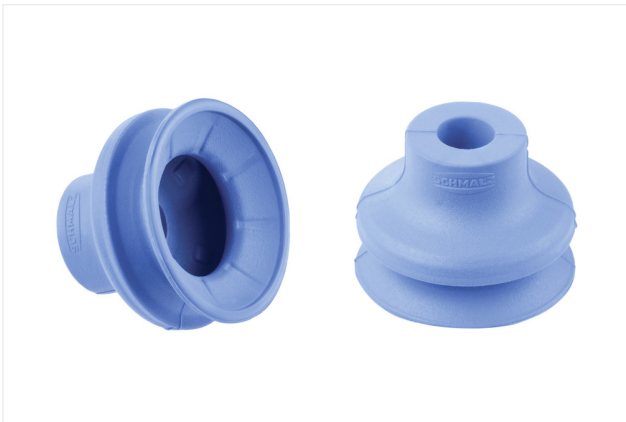
Length L: 18.5 mm

Matrix - Area Gripper

FMG 180x60x120 30 12 20-HT1

Part no...:10.12.10.00024

<https://www.schmalz.com/10.12.10.00024>



FGA 20 HT1-60 N016

Part no...:10.01.06.05777

Size: 20

Suction cup material: High temperature material HT1

Material hardness [Shore A]: 60 Shore A

Number of folds: 1.5

Application: Sheet metal / metal