

## Matrix - Area Gripper

FMG 180x60x120 60 3 50-HT1

Part no.:10.12.10.00111

<https://www.schmalz.com/10.12.10.00111>

Home > Vacuum Technology for Automation > Vacuum Components > Area Gripping Systems and End Effectors > Matrix Area Grippers FMG > FMG 180x60x120 60 3 50-HT1

### Vacuum area gripper with individually activatable suction points



Length L: 180 mm

Width B: 60 mm

Height H: 120 mm

Greiferabstand: 60 mm

Number of cups: 3

Diameter Ds: 50 mm

Suction cup material: High temperature material HT1

Suction cup stroke Zs: 5 mm

Cylinder stroke Z: 10 mm

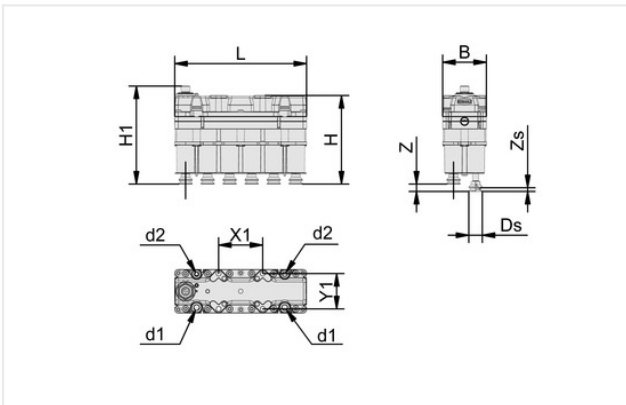
Communication: IO-Link (Class B)

Electrical connection: Male connect M12, 5 pol

Pressure range (operating pressure): 4.0 ... 6.0 bar

Operating temperature (max.): 50 °C

### Design Data



Attribute	Value
B	60 mm
d1	8 mm
d2	6 mm
Ds	50 mm
H	120 mm
H1	133 mm
L	180 mm
X1	60 mm
Y1	48 mm
Z	10 mm
Zs	5 mm

### Technical Data

Attribute	Value
Number of cups	3
Suction cup material	High temperature material HT1

### Contact Schmalz

J. Schmalz GmbH | Johannes-Schmalz-Str.1, 72293 Glatten, Germany | +49 7443 2403-102 | [customercenter@schmalz.de](mailto:customercenter@schmalz.de)

## Matrix - Area Gripper

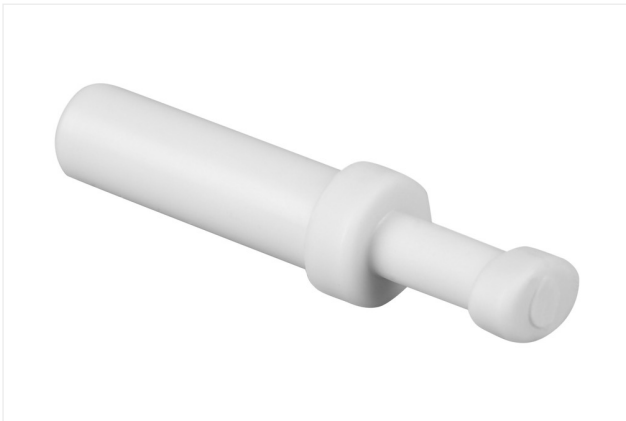
FMG 180x60x120 60 3 50-HT1

Part no.:10.12.10.00111

<https://www.schmalz.com/10.12.10.00111>

Communication	IO-Link (Class B)
Pressure range (operating pressure)	4.0 ... 6.0 bar
Pressure (max.)	6 bar
Operating temperature (max.)	50 °C

### Spare parts



#### VRS-TEC 6x14.4

Part no.:10.08.06.00012

Operating temperature: °C

External diameter D: 6 mm

Length L: 14.4 mm



#### VRS-TEC 8x18.5

Part no.:10.08.06.00013

Operating temperature: °C

External diameter D: 8 mm

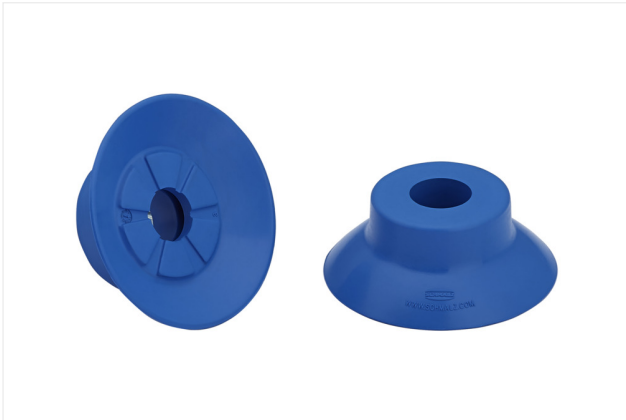
Length L: 18.5 mm

## Matrix - Area Gripper

FMG 180x60x120 60 3 50-HT1

Part no...:10.12.10.00111

<https://www.schmalz.com/10.12.10.00111>



### SUF 50 HT1-60 SC050

Part no...:10.01.01.13996

Size: 50

Suction cup material: High temperature material HT1

Material hardness [Shore A]: 60 Shore A