

Flat suction cup (round)

SFF 15 SI-55 SC040

Číslo dílu...:10.01.01.13746

<https://www.schmalz.com/10.01.01.13746>

Domovská stránka > Vakuová technologie pro automatizaci > Vacuum Components > Vacuum Suction Cups > Suction Cups for Plastic Films and Paper > SFF 15 SI-55 SC040

Flat suction cups (round) for the gentle handling of thin and flexible workpieces



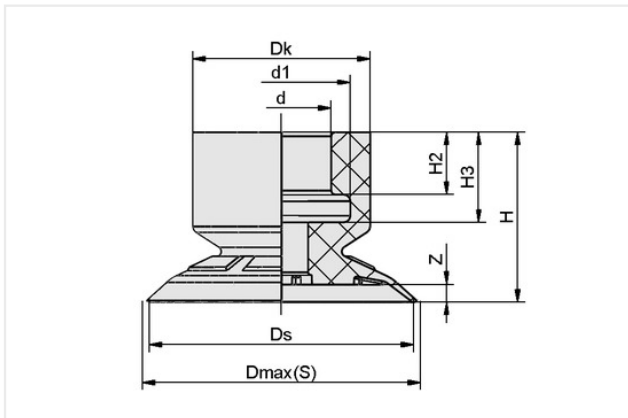
Size: 15

Suction cup material: Silicone SI

Material hardness [Shore A]: 55 Shore A

Number of folds: 0

Údaje o konstrukci



Atribut	Wert
Dmax(S)	16 mm
Dk	13 mm
Ds	15 mm
d	7,50 mm
d1	10,40 mm
H	12,50 mm
H2	4,70 mm
H3	6,80 mm
Z (Stroke)	1 mm

Technické údaje

Atribut	Wert
Suction force	6,60 N
Volume	0,60 cm ³
Size	15
Number of folds	0
Suction cup material	Silicone SI
Material hardness [Shore A]	55 Shore A
Curve radius (min) (convex)	12,50 mm
Nipple family	SC 040

[Kontaktujte společnost Schmalz](#)

Schmalz s.r.o. | Družstevní 2169, 75301 Hranice, Czech Republic | +420 581 621 021 | schmalz@schmalz.cz

Flat suction cup (round)

SFF 15 SI-55 SC040

Číslo dílu...:10.01.01.13746

<https://www.schmalz.com/10.01.01.13746>

Weight	0,90 g
Product family	SFF

Příslušenství



SC 040 M5-AG

Číslo dílu...:10.01.06.04346

Connection geometry: 040

Vacuum connection: M5-M

Fitting length: 5 mm

Nominal diameter dn: 1,8 mm



SC 040 G1/8-AG

Číslo dílu...:10.01.06.02490

Connection geometry: 040

Connection: G1/8"-M

Length L1: 20,2 mm

Fitting length: 6 mm

Nominal diameter dn: 4,1 mm



SC 040 G1/8-IG

Číslo dílu...:10.01.06.02482

Connection geometry: 040

Connection: G1/8"-F

Length L1: 20,7 mm

Fitting length: 14 mm

Nominal diameter dn: 4,1 mm



Flat suction cup (round)

SFF 15 SI-55 SC040

Číslo dílu...:10.01.01.13746

<https://www.schmalz.com/10.01.01.13746>
