

Bellows suction pad (round)

SFB1 40 SI-55 SC050

Číslo dílu...:10.01.06.04372

<https://www.schmalz.com/10.01.06.04372>

Domovská stránka > Vakuová technologie pro automatizaci > Vacuum Components > Vacuum Suction Cups > Suction Cups for Plastic Films and Paper > SFB1 40 SI-55 SC050

Bellows suction cup (round) with 1.5 corr. for dynamic handling workpieces



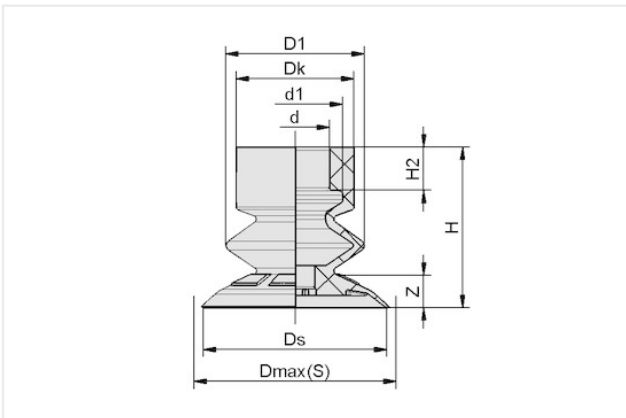
Size: 40

Suction cup material: Silicone SI

Material hardness [Shore A]: 55 Shore A

Number of folds: 1,5

Údaje o konstrukci



Atribut	Wert
D1	29,80 mm
Dmax(S)	42 mm
Dk	20 mm
Ds	40 mm
d	11,40 mm
d1	17 mm
d2	13,70 mm
H	29,70 mm
H2	6,60 mm
Z (Stroke)	10 mm

Technické údaje

Atribut	Wert
Suction force	8,80 N
Volume	7,53 cm ³
Size	40
Number of folds	1,50
Suction cup material	Silicone SI
Material hardness [Shore A]	55 Shore A
Curve radius (min) (convex)	30 mm
Nipple family	SC 050

[Kontaktujte společnost Schmalz](#)

Schmalz s.r.o. | Družstevní 2169, 75301 Hranice, Czech Republic | +420 581 621 021 | schmalz@schmalz.cz

Bellows suction pad (round)

SFB1 40 SI-55 SC050

Číslo dílu...:10.01.06.04372

<https://www.schmalz.com/10.01.06.04372>

Weight	7,50 g
Product family	SFB1

Příslušenství



SC 050 G1/4-AG SW410

Číslo dílu...:10.01.06.04347

Connection geometry: 050

Vacuum connection: G1/4"-M

Fitting length: 7,2 mm

Nominal diameter dn: 4,1 mm



SC 050 G1/4-IG SW410

Číslo dílu...:10.01.06.04348

Connection geometry: 050

Vacuum connection: G1/4"-F

Fitting length: 17,2 mm

Nominal diameter dn: 4,1 mm