

## Bellows suction pad (round)

SFB1 10 SI-55 SC030

Part no...:10.01.06.04367

<https://www.schmalz.com/10.01.06.04367>

Home > Vacuum Technology for Automation > Vacuum Components > Vacuum Suction Cups > Suction Cups for Plastic Films and Paper > SFB1 10 SI-55 SC030

### Bellows suction cup (round) with 1.5 corr. for dynamic handling workpieces



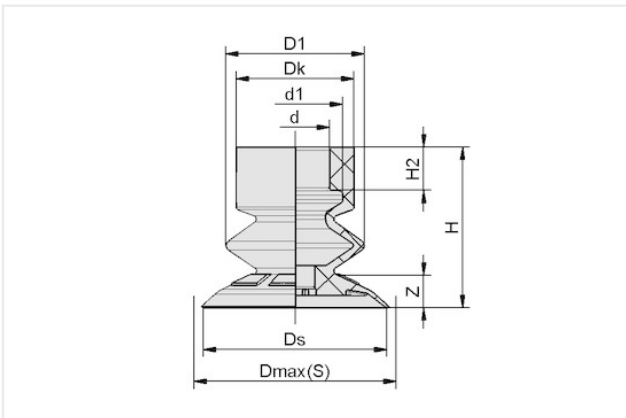
Size: 10

Suction cup material: Silicone SI

Material hardness [Shore A]: 55 Shore A

Number of folds: 1.5

### Design Data



Attribute	Value
D1	8.20 mm
Dmax(S)	11 mm
Dk	8.70 mm
Ds	10 mm
d	5.50 mm
d1	7.30 mm
d2	3.40 mm
H	12.30 mm
H2	4.20 mm
Z (Stroke)	2.50 mm

### Technical Data

Attribute	Value
Suction force	0.50 N
Volume	0.29 cm <sup>3</sup>
Size	10
Number of folds	1.50
Suction cup material	Silicone SI
Material hardness [Shore A]	55 Shore A
Curve radius (min) (convex)	10 mm
Nipple family	SC 030

### Contact Schmalz

J. Schmalz GmbH | Johannes-Schmalz-Str.1, 72293 Glatten, Germany | +49 7443 2403-102 | [customercenter@schmalz.de](mailto:customercenter@schmalz.de)

## Bellows suction pad (round)

SFB1 10 SI-55 SC030

Part no...:10.01.06.04367

<https://www.schmalz.com/10.01.06.04367>

Weight	0.30 g
Product family	SFB1

### Accessories



#### SC 030 M5-AG

Part no...:10.01.06.02802

Connection geometry: 030

Connection: M5-M

Length L1: 15.5 mm

Fitting length: 5 mm

Nominal diameter dn: 1.8 mm