

Bellows suction pad (round)

SFB1 40 EPDM-45 SC050

Part no...:10.01.06.04378

<https://www.schmalz.com/10.01.06.04378>

Home > Vacuum Technology for Automation > Vacuum Components > Vacuum Suction Cups > Suction Cups for Plastic Films and Paper > SFB1 40 EPDM-45 SC050

Bellows suction cup (round) with 1.5 corr. for dynamic handling workpieces



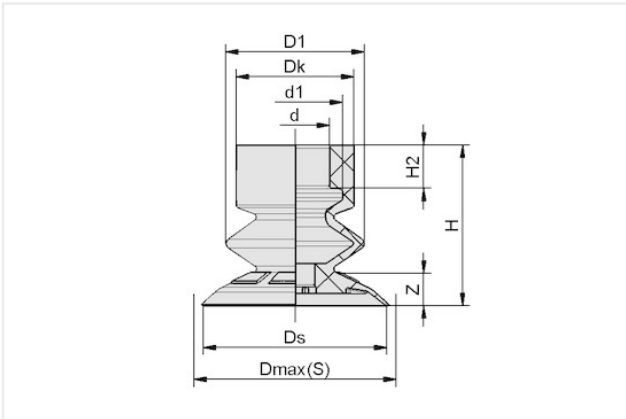
Size: 40

Suction cup material: EPDM

Material hardness [Shore A]: 45 Shore A

Number of folds: 1.5

Design Data



Attribute	Value
D1	29.80 mm
Dmax(S)	42 mm
Dk	20 mm
Ds	40 mm
d	11.40 mm
d1	17 mm
d2	13.70 mm
H	29.70 mm
H2	6.60 mm
Z (Stroke)	10 mm

Technical Data

Attribute	Value
Suction force	8.80 N
Volume	7.53 cm ³
Size	40
Number of folds	1.50
Suction cup material	EPDM
Material hardness [Shore A]	45 Shore A
Curve radius (min) (convex)	30 mm
Nipple family	SC 050

Contact Schmalz

J. Schmalz GmbH | Johannes-Schmalz-Str.1, 72293 Glatten, Germany | +49 7443 2403-102 | customercenter@schmalz.de

Bellows suction pad (round)

SFB1 40 EPDM-45 SC050

Part no.:10.01.06.04378

<https://www.schmalz.com/10.01.06.04378>

Product family

SFB1

Accessories



SC 050 G1/4-AG SW410

Part no.:10.01.06.04347

Connection geometry: 050

Vacuum connection: G1/4"-M

Fitting length: 7.2 mm

Nominal diameter dn: 4.1 mm



SC 050 G1/4-IG SW410

Part no.:10.01.06.04348

Connection geometry: 050

Vacuum connection: G1/4"-F

Fitting length: 17.2 mm

Nominal diameter dn: 4.1 mm