

Bellows suction pad (round)

SFB1 25 EPDM-45 SC040

Part no...:10.01.06.04376

<https://www.schmalz.com/10.01.06.04376>

Home > Vacuum Technology for Automation > Vacuum Components > Vacuum Suction Cups > Suction Cups for Plastic Films and Paper > SFB1 25 EPDM-45 SC040

Bellows suction cup (round) with 1.5 corr. for dynamic handling workpieces



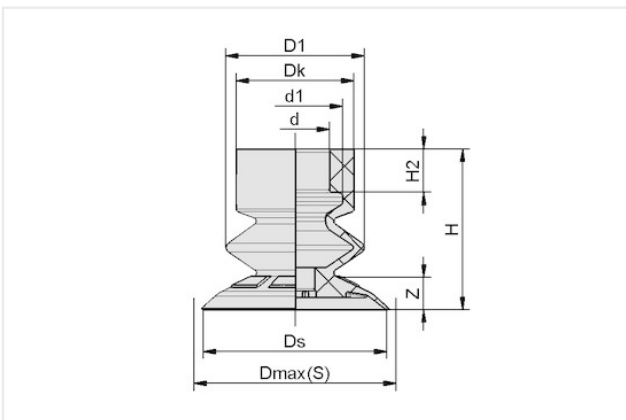
Size: 25

Suction cup material: EPDM

Material hardness [Shore A]: 45 Shore A

Number of folds: 1.5

Design Data



Attribute	Value
D1	18.80 mm
Dmax(S)	26.50 mm
Dk	13 mm
Ds	25 mm
d	7.50 mm
d1	10.40 mm
d2	8.20 mm
H	19.20 mm
H2	4.70 mm
Z (Stroke)	6.50 mm

Technical Data

Attribute	Value
Suction force	3.20 N
Volume	1.88 cm ³
Size	25
Number of folds	1.50
Suction cup material	EPDM
Material hardness [Shore A]	45 Shore A
Curve radius (min) (convex)	18 mm
Nipple family	SC 040

Contact Schmalz

J. Schmalz GmbH | Johannes-Schmalz-Str.1, 72293 Glatten, Germany | +49 7443 2403-102 | customercenter@schmalz.de

Bellows suction pad (round)

SFB1 25 EPDM-45 SC040

Part no...:10.01.06.04376

<https://www.schmalz.com/10.01.06.04376>

Product family	SFB1
----------------	------

Accessories



SC 040 G1/8-AG

Part no...:10.01.06.02490

Connection geometry: 040

Connection: G1/8"-M

Length L1: 20.2 mm

Fitting length: 6 mm

Nominal diameter dn: 4.1 mm



SC 040 G1/8-IG

Part no...:10.01.06.02482

Connection geometry: 040

Connection: G1/8"-F

Length L1: 20.7 mm

Fitting length: 14 mm

Nominal diameter dn: 4.1 mm

Spare parts

Contact Schmalz

J. Schmalz GmbH | Johannes-Schmalz-Str.1, 72293 Glatten, Germany | +49 7443 2403-102 | customercenter@schmalz.de

Bellows suction pad (round)

SFB1 25 EPDM-45 SC040

Part no...:10.01.06.04376

<https://www.schmalz.com/10.01.06.04376>



SC 040 M5-AG

Part no...:10.01.06.04346

Connection geometry: 040

Vacuum connection: M5-M

Fitting length: 5 mm

Nominal diameter dn: 1.8 mm