

## Bellows suction pad (round)

SFB1 20 EPDM-45 SC040

Part no...:10.01.06.04375

<https://www.schmalz.com/10.01.06.04375>

Home > Vacuum Technology for Automation > Vacuum Components > Vacuum Suction Cups > Suction Cups for Plastic Films and Paper > SFB1 20 EPDM-45 SC040

### Bellows suction cup (round) with 1.5 corr. for dynamic handling workpieces



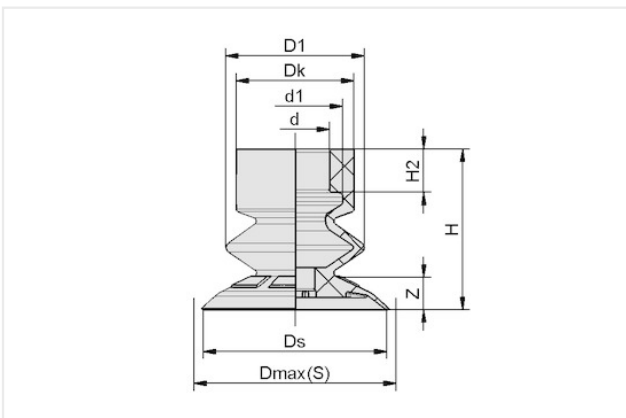
Size: 20

Suction cup material: EPDM

Material hardness [Shore A]: 45 Shore A

Number of folds: 1.5

### Design Data



Attribute	Value
D1	15.10 mm
Dmax(S)	21 mm
Dk	12.80 mm
Ds	20 mm
d	7.50 mm
d1	10.40 mm
d2	6.60 mm
H	17.50 mm
H2	4.70 mm
Z (Stroke)	5 mm

### Technical Data

Attribute	Value
Suction force	2.10 N
Volume	1.18 cm <sup>3</sup>
Size	20
Number of folds	1.50
Suction cup material	EPDM
Material hardness [Shore A]	45 Shore A
Curve radius (min) (convex)	12.50 mm
Nipple family	SC 040

### Contact Schmalz

J. Schmalz GmbH | Johannes-Schmalz-Str.1, 72293 Glatten, Germany | +49 7443 2403-102 | [customercenter@schmalz.de](mailto:customercenter@schmalz.de)

## Bellows suction pad (round)

SFB1 20 EPDM-45 SC040

Part no...:10.01.06.04375

<https://www.schmalz.com/10.01.06.04375>

Product family

SFB1

### Accessories



#### SC 040 G1/8-AG

Part no...:10.01.06.02490

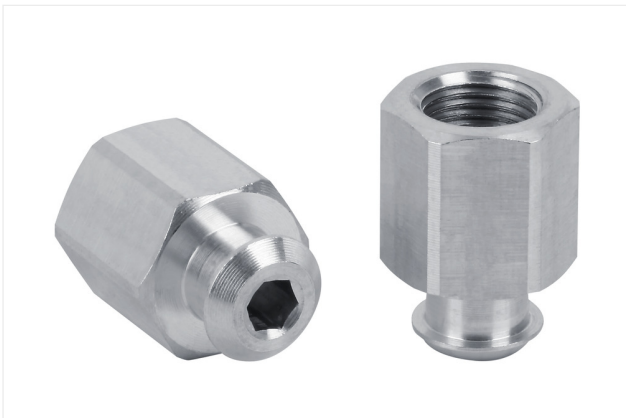
Connection geometry: 040

Connection: G1/8"-M

Length L1: 20.2 mm

Fitting length: 6 mm

Nominal diameter dn: 4.1 mm



#### SC 040 G1/8-IG

Part no...:10.01.06.02482

Connection geometry: 040

Connection: G1/8"-F

Length L1: 20.7 mm

Fitting length: 14 mm

Nominal diameter dn: 4.1 mm

### Spare parts

#### Contact Schmalz

J. Schmalz GmbH | Johannes-Schmalz-Str.1, 72293 Glatten, Germany | +49 7443 2403-102 | [customercenter@schmalz.de](mailto:customercenter@schmalz.de)

## Bellows suction pad (round)

SFB1 20 EPDM-45 SC040

Part no...:10.01.06.04375

<https://www.schmalz.com/10.01.06.04375>



### SC 040 M5-AG

Part no...:10.01.06.04346

Connection geometry: 040

Vacuum connection: M5-M

Fitting length: 5 mm

Nominal diameter dn: 1.8 mm