

## Flat suction cup (round)

SFF 40 EPDM-45 SC050

Part no...:10.01.01.14049

<https://www.schmalz.com/10.01.01.14049>

Home > Vacuum Technology for Automation > Vacuum Components > Vacuum Suction Cups > Suction Cups for Plastic Films and Paper > SFF 40 EPDM-45 SC050

### Flat suction cups (round) for the gentle handling of thin and flexible workpieces



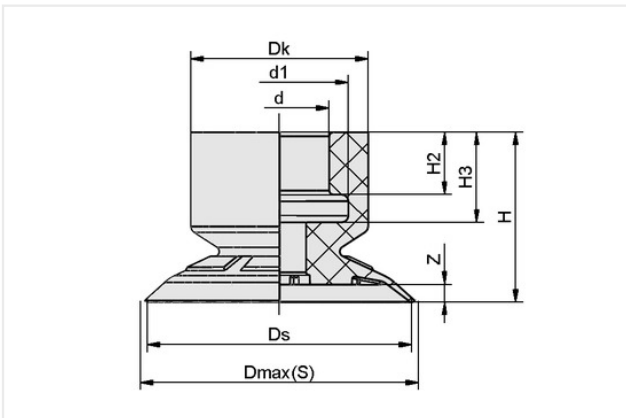
Size: 40

Suction cup material: EPDM

Material hardness [Shore A]: 45 Shore A

Number of folds: 0

### Design Data



Attribute	Value
Dmax(S)	42 mm
Dk	21.90 mm
Ds	40 mm
d	11.40 mm
d1	17.10 mm
H	19 mm
H2	6.60 mm
H3	9.50 mm
Z (Stroke)	2.70 mm

### Technical Data

Attribute	Value
Suction force	48.60 N
Volume	4.33 cm <sup>3</sup>
Size	40
Number of folds	0
Suction cup material	EPDM
Material hardness [Shore A]	45 Shore A
Curve radius (min) (convex)	45 mm
Nipple family	SC 050

### Contact Schmalz

J. Schmalz GmbH | Johannes-Schmalz-Str.1, 72293 Glatten, Germany | +49 7443 2403-102 | [customercenter@schmalz.de](mailto:customercenter@schmalz.de)

## Flat suction cup (round)

SFF 40 EPDM-45 SC050

Part no.:10.01.01.14049

<https://www.schmalz.com/10.01.01.14049>

Weight	6.70 g
Product family	SFF

### Accessories



#### SC 050 G1/4-AG SW410

Part no.:10.01.06.04347

Connection geometry: 050

Vacuum connection: G1/4"-M

Fitting length: 7.2 mm

Nominal diameter dn: 4.1 mm



#### SC 050 G1/4-IG SW410

Part no.:10.01.06.04348

Connection geometry: 050

Vacuum connection: G1/4"-F

Fitting length: 17.2 mm

Nominal diameter dn: 4.1 mm