

Flat suction cup (round)

<https://www.schmalz.com/10.01.01.11455>



SAF 60 NBR-45 M14x1.5-AG

Part no.: 10.01.01.11455

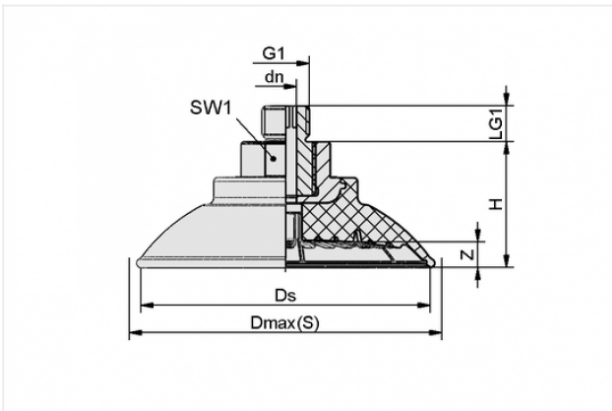
Homepage > Vacuum Technology for Automation > Vacuum Components > Vacuum Suction Cups > Suction Cups for Handling Sheet Metal > Flat Suction Cups SAF > SAF 60 NBR-45 M14x1.5-AG

Flat suction cup (round) for very dynamic handling of smooth and oily workpieces



Size: 60
Suction cup material:
Nitrile rubber NBR
Material hardness: 45 °Sh
Vacuum connection: M14x1.5-M
Nipple material: Aluminium

Design Data



| Attribute | Value |
|-----------|-----------|
| dn | 6 mm |
| Dmax(S) | 67 mm |
| Ds | 60.6 mm |
| G1 | M14x1.5-M |
| H | 31 mm |
| LG1 | 12 mm |
| SW1 | 22 mm |
| Z | 6 mm |

Technical Data

Contact to Schmalz

J. Schmalz GmbH | Johannes-Schmalz-Straße, 72293 Glatten, Deutschland | +49 7443 2403-102 | customercenter@schmalz.de

| Attribute | Value |
|---------------------------------|----------------------|
| Suction force | 150 N |
| Lateral force | 105 N |
| Lateral force (oily surface) | 85 N |
| Volume | 16.7 cm ³ |
| Curve radius (min) (convex) | 75 mm |
| Internal hose diameter (recom.) | 6 mm |
| Size | 60 |
| Suction cup material | Nitrile rubber NBR |
| Material hardness | 45 °Sh |
| Weight | 47.4 g |
| Number of folds | 0 |
| Product family | SAF |

Note:

- Suction force: The specified suction forces are theoretical values at a vacuum of -0.6 bar and with a smooth, dry workpiece surface - they do not include a safety factor
- Lateral force: The specified lateral forces are values measured at a vacuum of -0.6 bar with a dry or oily, smooth, flat workpiece surface. Depending on the workpiece surface and its quality, the actual values may deviate from these values
- Hose diameter: The recommended hose diameter refers to a hose length of approx. 2 m

Accessories



SU 60

Part no. 10.01.01.13585

Cover for suction cup

Size: 60

Temperature resistance: 80 °C

