



M4 Modular Handle System

System Overview

- Designed for insulated doors up to 100mm (4in) thick
- Suitable for pressurized systems
- Highly adjustable and tolerant to dimensional variation
- Provides up to 2mm of compression
- Configurable as a single latch or multipoint system

Notes

A single point latch requires Handle, Handle shaft, and Cam Latch. Multipoint systems require at least one Handle and Handle Shaft, Remote Shafts and Remote Covers for additional latch points, a Multipoint Rod, and Multipoint Cam Latches for ALL latch points. Emergency Handle and Pressure Release Bracket options also available.

Order each component separately



Specifying an M4 system:

1. Select Handle (P233B). Multiple security options available
2. Select Shaft (p233C & p233E). Handle Shaft and Remote Shaft options
3. Select Cam Latch (p233C & p233F). Cam Latch and Multipoint Cam Latch options
4. Include Remote Covers (p233E) and a Multipoint Rod (p233G) for multipoint systems
5. Select optional accessories (p233D)

See Trade drawing for additional details.

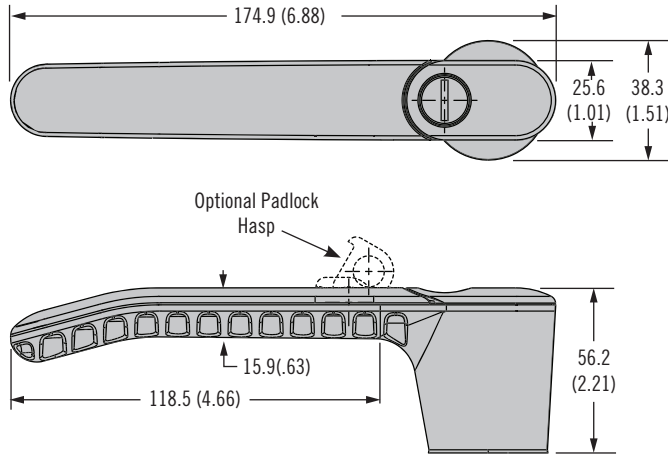
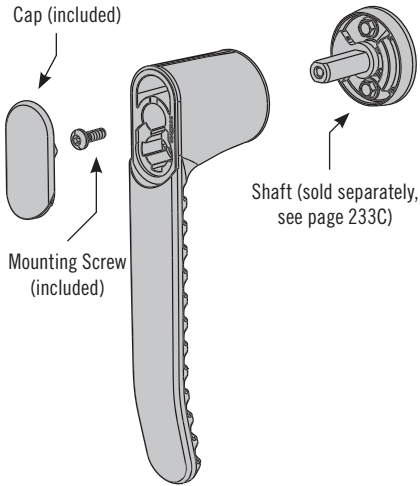
M4 Modular Handle System

Handles

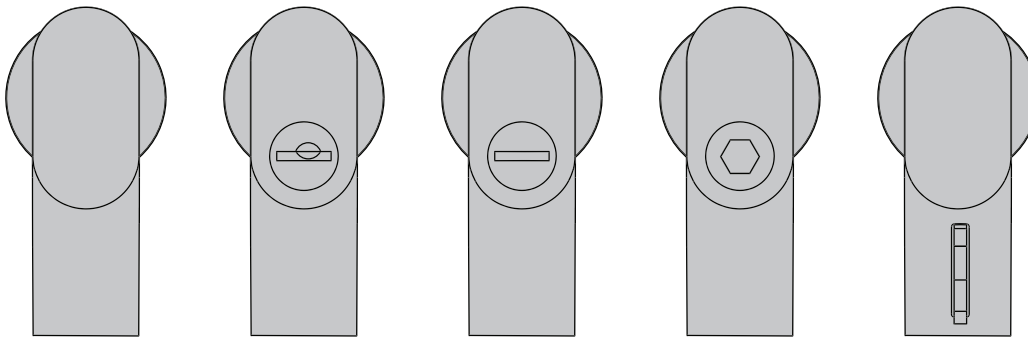


233B

Installation



Available Lock Styles



Non-Locking

Key-Locking

Key Code CH751
Supplied with 2 Keys

Slotted

8mm Hex

Padlocking

Part Number	
Non-Locking	M4-10-123-20
Key-Locking	M4-10-131-20
Slotted	M4-10-100-20
8mm Hex	M4-10-101-20
Padlocking	M4-10-223-20

- Easy actuation even with gloved hands
- Minimizes heat transfer through door
- Removable for transport

Material and Finish

Handle, Cap: Glass-filled nylon, black
Lock Plate, Hasp, Screw: Steel, zinc-plate

Lock Plug, Pin: Die cast zinc, chromate

Installation Notes

Secure Handle to Handle Shaft with screw provided and press in the Cap. Cap is removable when handle is unlocked. Only one Handle is required for multipoint systems.

Notes

For use with M4 Handle Shaft (pg 233C).

Part Number

See table
Order Handle and Handle Shaft separately



M4 Modular Handle System

Handle Shaft and Cam Latch

- Accommodates wide tolerances in door thickness
- Modular design protects door integrity
- Provides up to 2mm of compression

Material and Finish

Shaft: Steel with zinc plate, black glass-filled nylon, Silicone, Buna-N
 Cam Latch: Steel with zinc plate, black glass-filled nylon, EPDM

Sealing Notes

NEMA 4 / IP65

Installation Notes

Attach using M4 or #8 hardware (not supplied). Self tapping screws (not supplied) may be used in sheet metal thicknesses from 0.6 to 2mm (0.02 - 0.08).

Adjust roller cam location using jam nuts until proper gasket compression is achieved.

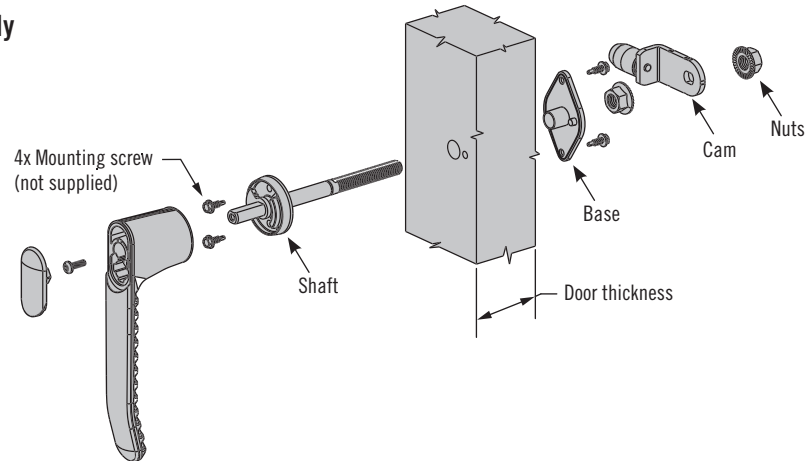
Notes

For use with M4 Handle (pg 233B) and optional M4 Accessories (pg 233D). M4 Handle Shaft may also be used with M4 Multipoint Rod (pg 233G) and M4 Multipoint Latches (pg 233F) at driving latch point location only.

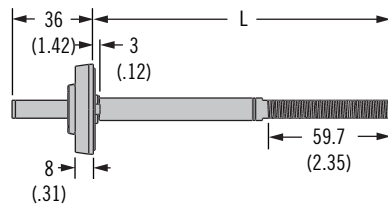
Part Number

See tables
 Order Handle, Shaft(s), Latch, Multipoint Latch(es), Multipoint Rod, and optional Accessories separately.

Assembly

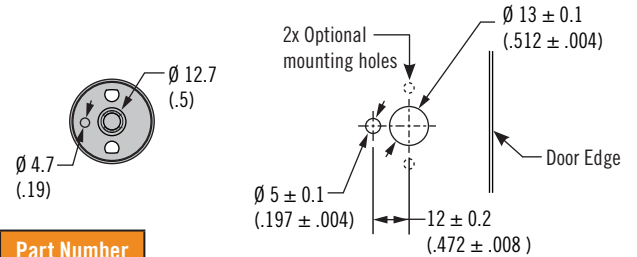


Handle Shaft

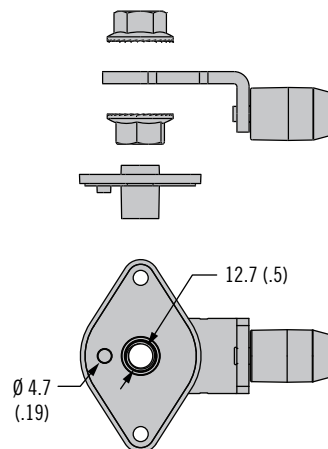


Door Thickness +/- 6.4 (0.25)	L	Part Number
25 (1)	87.5 (3.44)	M4-20-125-20
38 (1.5)	100.2 (3.94)	M4-20-138-20
51 (2)	112.9 (4.44)	M4-20-150-20
64 (2.5)	125.6 (4.94)	M4-20-163-20
76 (3)	138.3 (5.44)	M4-20-176-20
89 (3.5)	151.0 (5.94)	M4-20-189-20
102 (4)	163.7 (6.44)	M4-20-1102-20

Panel Preparation (viewed from outside of door)



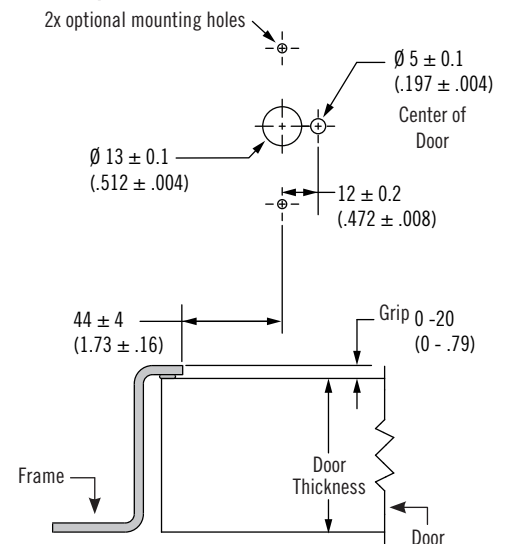
Cam Latch



Part Number

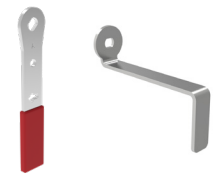
M4-30-100

Panel Preparation (viewed from inside of door)



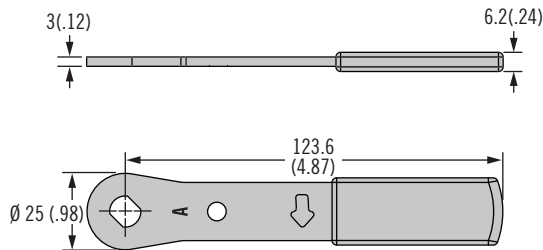
M4 Modular Handle System

Accessories



233D

Emergency Handle



Part Number

M4-50-1101-12

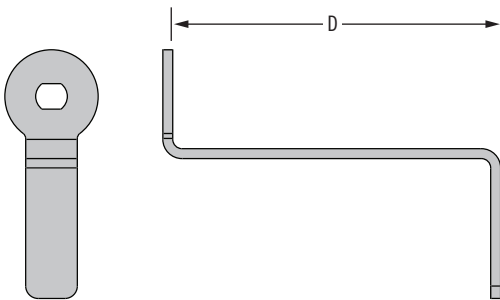
Material and Finish

Steel with zinc plate, red plastic

Notes

Emergency handles allow latches to be opened from inside the enclosure. For use with M4 Handle Shaft and Latch (pg 233C) or M4 Multipoint Latch (pg 233F)

Pressure Release Bracket



M4 - 50 - 130 **V** - 12

V	Dimension D
1	62.8 (2.47)
2	79.2 (3.12)
3	86.2 (3.39)
4	105.5 (4.15)

Material and Finish

Steel with zinc plate

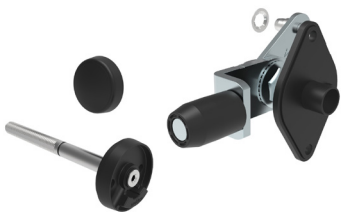
Notes

Pressure release brackets prevent doors from being fully opened until pressure inside of the enclosure is safely released. For use with M4 Handle Shaft and Latch (pg 233C) or M4 Multipoint Latch (pg 233F)

Part Number

See tables

Order Shaft, Latch, Emergency Handle, and Pressure Release Bracket separately.



M4 Modular Handle System

Remote Shaft and Cover

- System provides up to 4 latching points
- Accommodates wide tolerances in door thickness
- Modular design protects door integrity
- Provides up to 2mm of compression

Material and Finish

Shaft: Steel with zinc plate, black glass-filled nylon, Silicone, Buna-N
Remote Cover: Steel with zinc plate, black glass-filled nylon

Sealing Notes

NEMA 4 / IP65

Installation Notes

Attach using M4 or #8 hardware (not supplied). Self tapping screws (not supplied) may be used in sheet metal thicknesses from 0.6 to 2mm (0.02 - 0.08).

Adjust roller cam location using jam nuts until proper gasket compression is achieved.

Notes

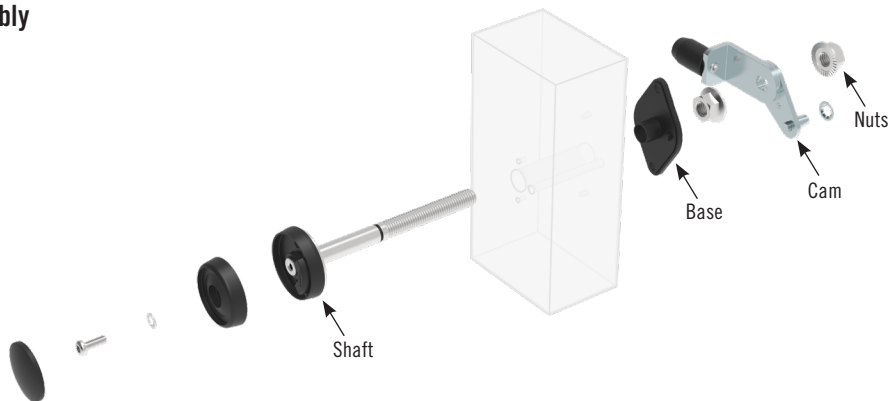
For use with M4 Multipoint Latches (pg 233F), M4 Multipoint Rod (pg 233G), and optional M4 Accessories (pg 233D).

Part Number

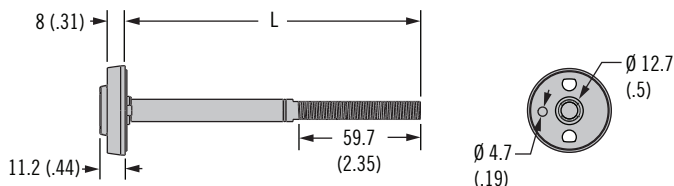
See tables

Order Remote Shaft(s), Remote Shaft Cover(s), Multipoint Latches, Multipoint Rod, and optional Accessories separately.

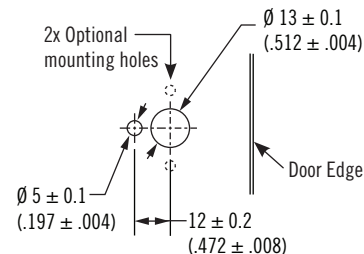
Assembly



Remote Shaft

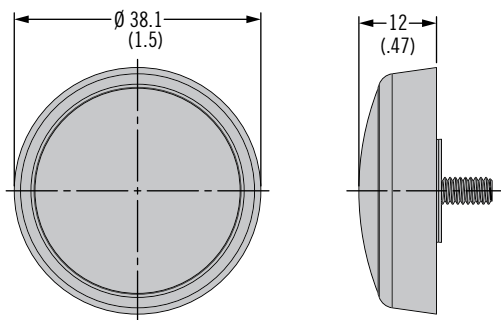


Panel Preparation (viewed from outside of door)



Door Thickness +/- 6.4 (0.25)	L	Part Number
25 (1)	87.5 (3.44)	M4-20-325-20
38 (1.5)	100.2 (3.94)	M4-20-338-20
51 (2)	112.9 (4.44)	M4-20-350-20
64 (2.5)	125.6 (4.94)	M4-20-363-20
76 (3)	138.3 (5.44)	M4-20-376-20
89 (3.5)	151.0 (5.94)	M4-20-389-20
102 (4)	163.7 (6.44)	M4-20-3102-20

Remote Shaft Cover



Part Number

M4-10-323-20

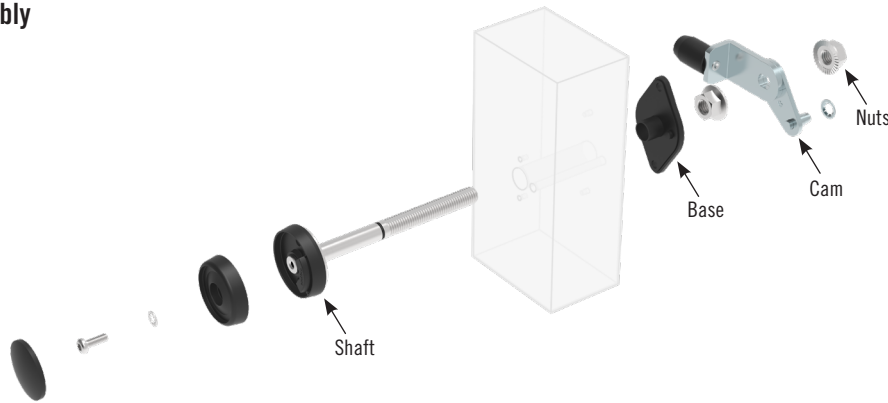
M4 Modular Handle System

Multipoint Cam Latches



233F

Assembly



- System provides up to 4 latching points
- Accommodates wide tolerances in door thickness
- Modular design protects door integrity
- Provides up to 2mm of compression

Material and Finish

Multipoint Cam Latch: Steel with zinc plate, black glass-filled nylon, EPDM

Sealing Notes

NEMA 4 / IP65

Installation Notes

Attach using M4 or #8 hardware (not supplied). Self tapping screws (not supplied) may be used in sheet metal thicknesses from 0.6 to 2mm (.02 - .08).

Adjust roller cam location using jam nuts until proper gasket compression is achieved.

Notes

For use with M4 Handle Shaft (pg 233C), M4 Remote Shaft(s) (pg 233E), and M4 Multipoint Rod (pg 233G).

Part Number

See table

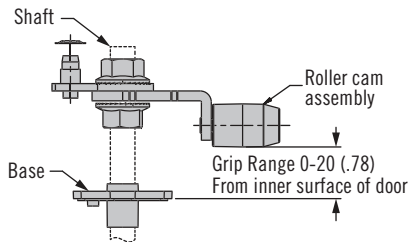
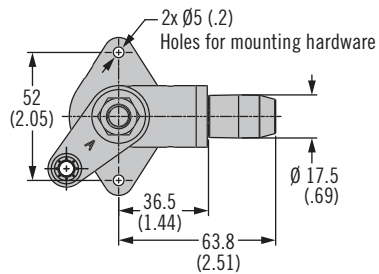
External Handle Rotation:

Clockwise to close use Type A

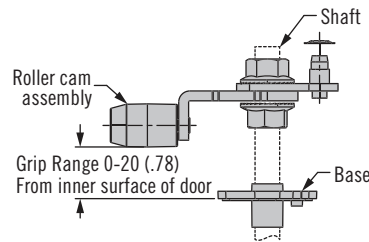
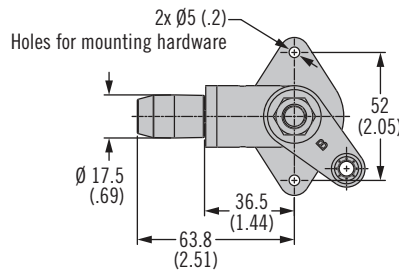
Counter-clockwise to close use Type B

Order Shafts, Multipoint Latches, and Multipoint Rod separately.

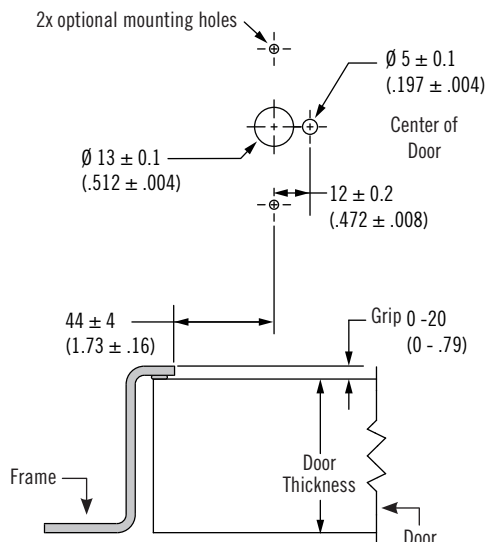
Multipoint Cam Latch – Type A



Multipoint Cam Latch – Type B



Panel Preparation (viewed from inside of door)



Multipoint Cam Latch	Part Number
Type A	M4-30-120
Type B	M4-30-130



M4 Modular Handle System

Multipoint Rods

- Multiple lengths and latching point locations
- Adjustable to accommodate tolerance variation

Material and Finish

Rod: Aluminum

Plate, Screw: Steel with zinc plate

Installation Notes

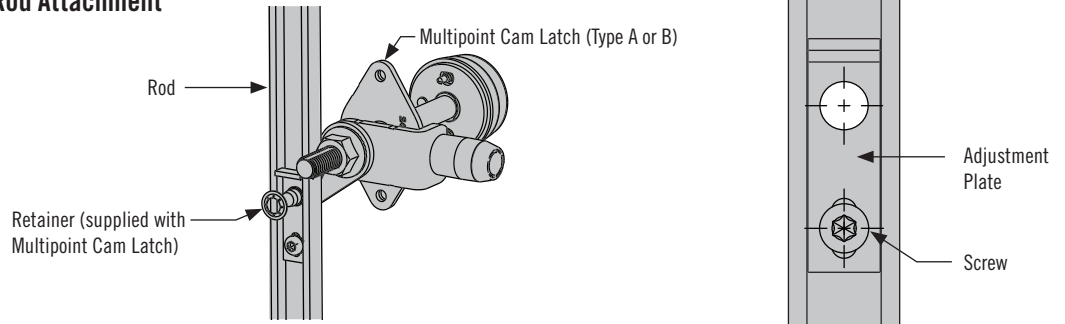
A system consists of: one Multipoint Rod, a Handle and Handle Shaft (pg223B & 223C) for actuation, and Remote Shaft Covers and Remote Shafts (pg233E) for each additional latch point. Multipoint Cam Latches (pg223F) are used at ALL latch points. Optional accessories available (pg233D).

Part Number

See table

Order M4 Handle, M4 Remote Shaft Cover(s), M4 Handle Shaft, M4 Remote Shaft(s), M4 Multipoint Cam Latches, M4 Multipoint Rod, and optional M4 Accessories separately.

Rod Attachment



Rod Length	Part Number						
	M4-40-062-10	M4-40-092-11	M4-40-122-11	M4-40-152-11	M4-40-152-21	M4-40-182-11	M4-40-182-21
649.6 (25.6)	●	●	●	●	●	●	●
954.4 (37.6)	●	●	●	●	●	●	●
1260 (49.6)			●		●	●	
1564 (61.6)				●	●		
1868.8 (73.6)						●	●
Distance Between Actuation Points	609.6 (24)	457.2 (18)	610 (24)	762 (30)	508 (20)	914.4 (36)	609.6 (24)

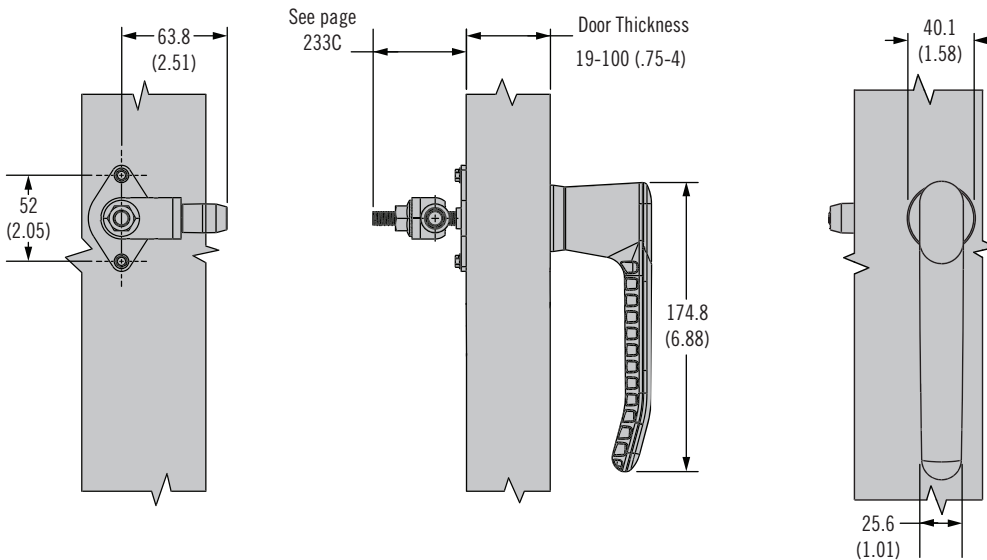
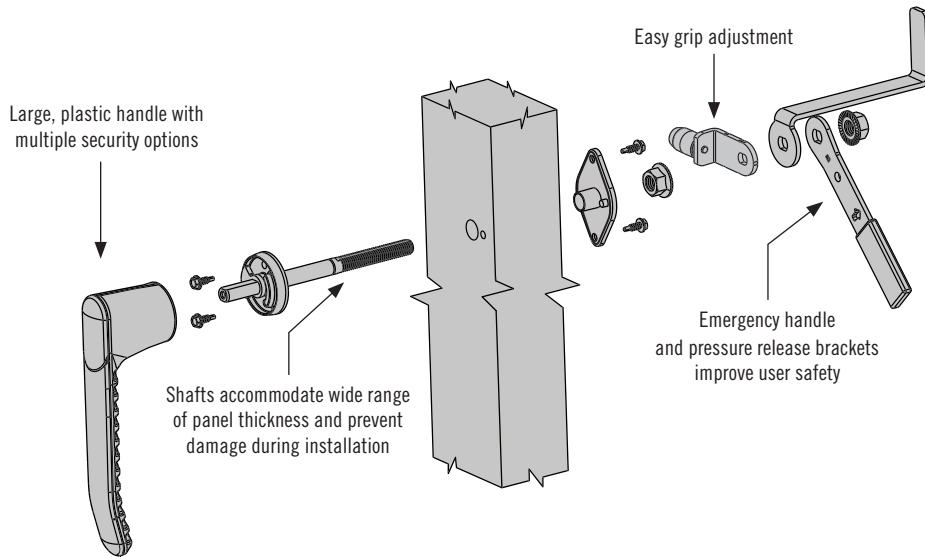
● Actuator Connection ● Actuator Connection with Adjustment Plate

M4 Cam Latch

Hand-Operated • Adjustable Grip



175A



- Designed for doors up to 100mm (4in) thick or pressurized systems
- Safe, simple, secure latching
- Plastic handle minimizes heat transfer
- Provides up to 2mm of compression

Sealing Notes

NEMA 4 / IP65

Notes

See pages 233A through 233D or southco.com/M4 for more details. Complete system consists of handle, shaft, latch, Emergency handle (optional), and pressure release bracket (optional)

Part Number

See pages 233A-233D

Order each component separately. Latch can also be used in multi-point configuration. See pages 233E – 233G for Multipoint details.

Specifying an M4 Cam Latch:

All components must be ordered separately

1. Select handle (pg 233B) - Multiple security options available
2. Select shaft length based on door thickness (pg 233C)
3. Order cam latch hardware (pg 233C) - Part Number: M4-30-100
4. Select optional accessories (pg 233D)

See trade drawings for additional information