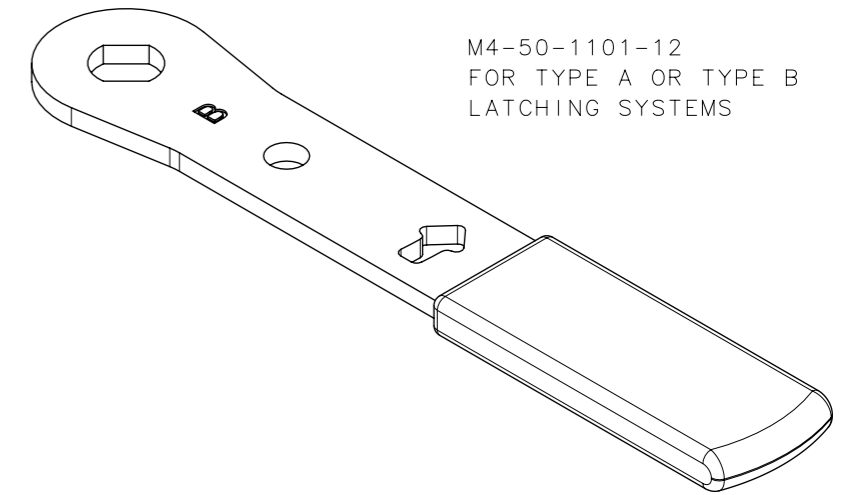
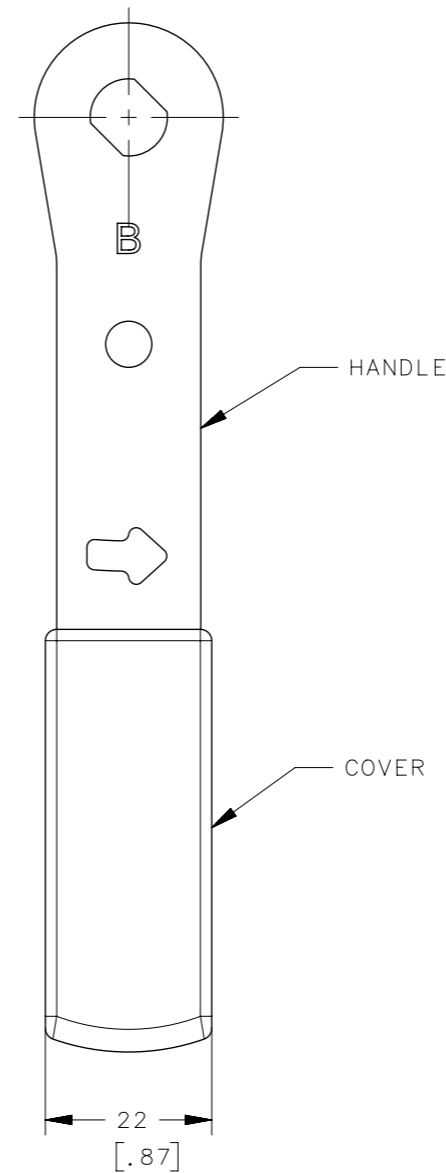
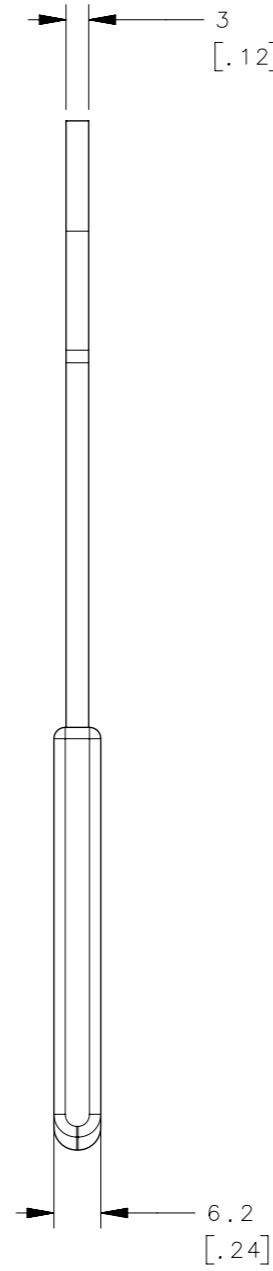
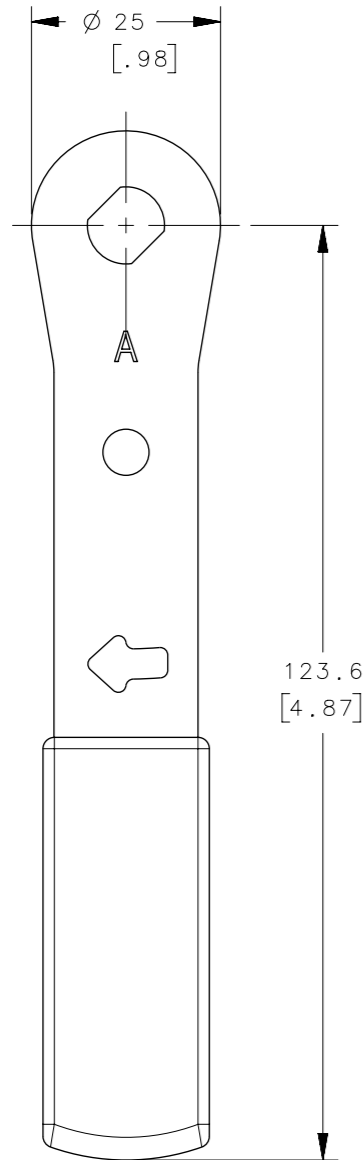


EMERGENCY HANDLE

REVISION HISTORY			
REV	DATE	BY	DESCRIPTION
C	15FEB2024	AJD/CMS	PRN: P2023-2373



M4-50-1101-12
FOR TYPE A OR TYPE B
LATCHING SYSTEMS



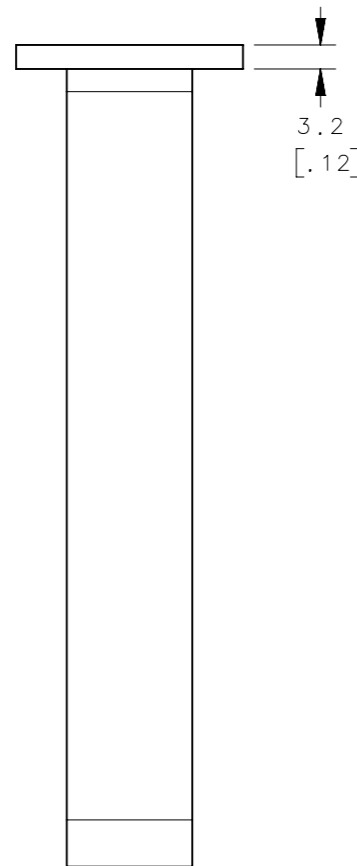
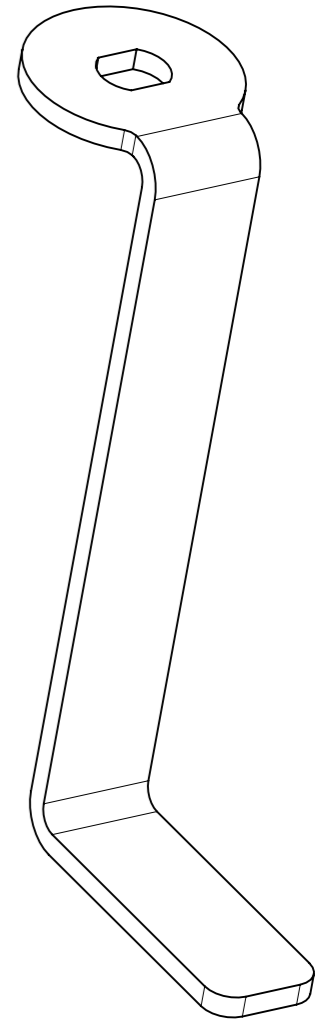
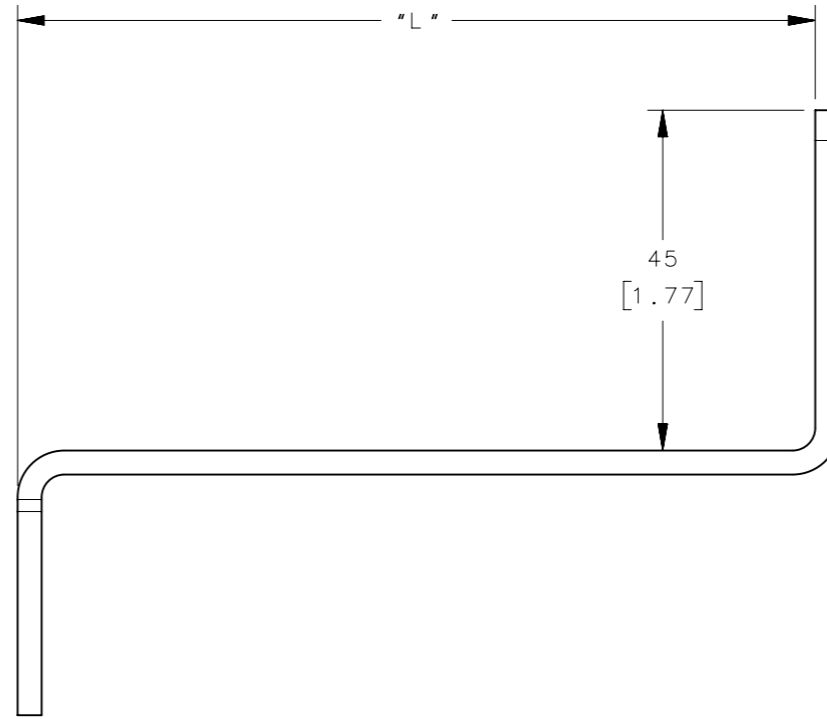
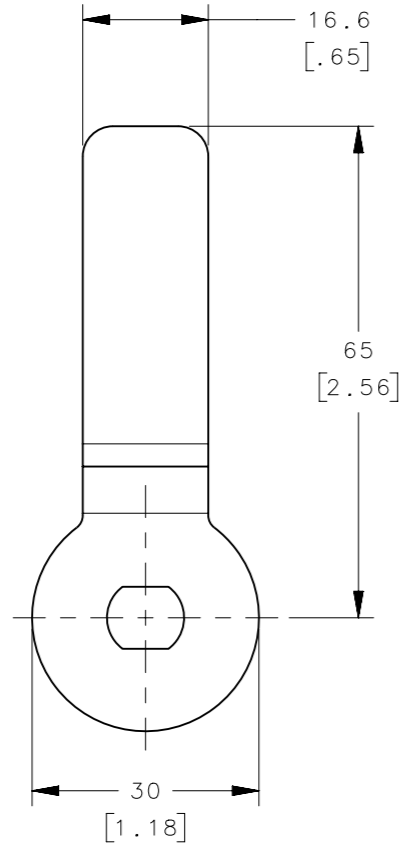
EMERGENCY HANDLE NOTES:
A. MATERIALS AND FINISHES:
1. HANDLE, RETAINER, PIN - STEEL, ZINC PLATE
2. COVER - PVC, RED
B. SEE J-M4-1 FOR SYSTEM LEVEL DETAILS

CPB NUMBER 2019-0721	THIRD ANGLE PROJECTION
	MILLIMETERS [IN]
	TOLERANCES UNLESS OTHERWISE NOTED
	ALL DIMENSIONS WITHOUT TOLERANCES ARE FOR REFERENCE ONLY.
PROPRIETARY ITEM EXCEPT FOR USES EXPRESSLY GRANTED IN WRITING, INFORMATION DISCLOSED HEREON IS CONFIDENTIAL AND ALL RIGHTS, PATENT AND OTHERWISE, ARE RESERVED BY SOUTHCO, INC.	PER ASME Y14.5M-2009

M4-50-1101-12 ASSEMBLY PART NUMBER			
southco [®] CONNECT • CREATE • INNOVATE			
DESCRIPTION CAM LATCH ACCESSORIES			
SIZE A3	SYSTEM NX	DWG NO. J-M4-50-1	
DRAWN BY RES	DATE 21JUN2021	SCALE 1:1	SHEET 1 OF 2

SECONDARY CATCH (M4-50-1304-12 SHOWN)

REVISION HISTORY			
REV	DATE	BY	DESCRIPTION
C	15FEB2024	AJD/CMS	PRN: P2023-2373



M4-50-1301-12	62.8 mm [2.47]
M4-50-1302-12	79.2 mm [3.12]
M4-50-1303-12	86.2 mm [3.39]
M4-50-1304-12	105.5 mm [4.15]
PART NUMBER	DIMENSION "L"

CPB NUMBER 2019-0721	THIRD ANGLE PROJECTION
	MILLIMETERS [IN]
	TOLERANCES UNLESS OTHERWISE NOTED
	ALL DIMENSIONS WITHOUT TOLERANCES ARE FOR REFERENCE ONLY.
PROPRIETARY ITEM	PER ASME Y14.5M-2009
EXCEPT FOR USES EXPRESSLY GRANTED IN WRITING, INFORMATION DISCLOSED HEREON IS CONFIDENTIAL AND ALL RIGHTS, PATENT AND OTHERWISE, ARE RESERVED BY SOUTHCO, INC.	

southco [®] CONNECT • CREATE • INNOVATE			
DESCRIPTION CAM LATCH ACCESSORIES			
SIZE A3	SYSTEM NX	DWG NO. J-M4-50-1	
DRAWN BY RES	DATE 21JUN2021	SCALE 1:1	SHEET 2 OF 2

SECONDARY CATCH NOTES:
 A. MATERIAL - STEEL
 B. FINISH - ZINC PLATE
 C. SEE J-M4-1 FOR SYSTEM LEVEL DETAILS