



# E9 Quarter Turn Compression Latch

Zinc housing · Tool operated

Fixed or Adjustable grip · 20.1 mm size

- Quarter turn actuation
- Rotates and compresses at same time
- Consistent pre-set compression
- Tool operated for security

### Material and Finish

Zinc alloy, powder coated or chrome plated and steel, zinc plated.

### Performance Details

Compression: 4.0 mm (.16 in)  
 Maximum static load:  
 Fixed Grip: 250 N (56 lbf)

### Sealing Notes

NEMA 4 and IP66/IP67

### Installation Notes

Recommended tightening torque for the mounting nut is 20 N·m (176 in·lbf)  
 Fixed Grip: Mounting screw torque 5 N·m (44 in·lbf)

### Keys

See page 121

### Accessories

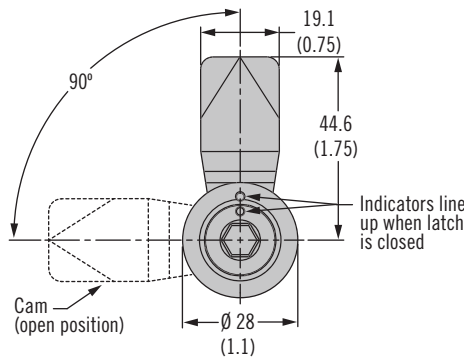
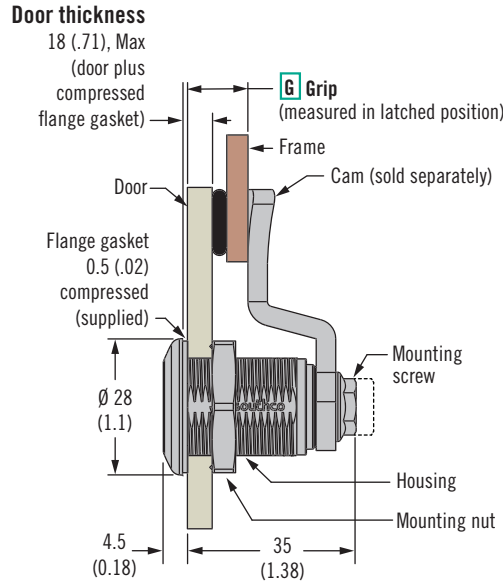
See pages 174-175

### Optional Keeper for Roller Cam

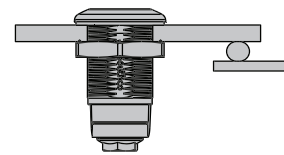
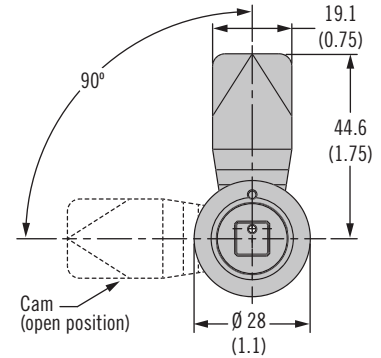
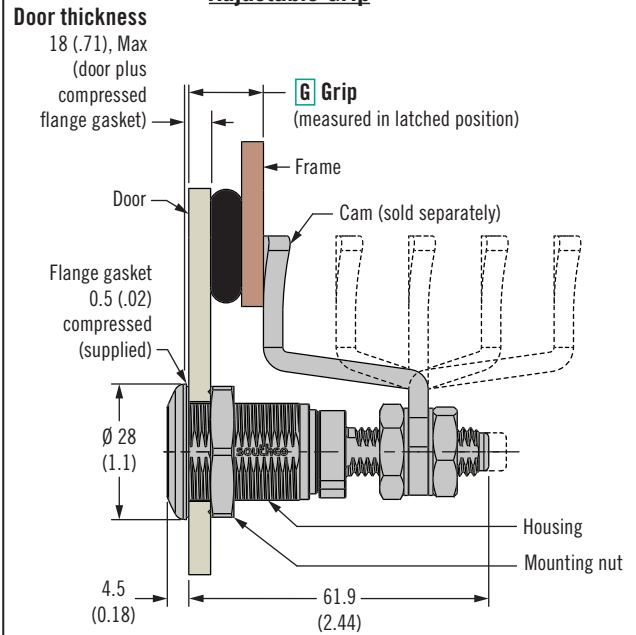
Part number E5-74-601-33 (if selected, add 4 mm to grip calculation)



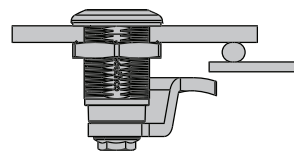
### Fixed Grip



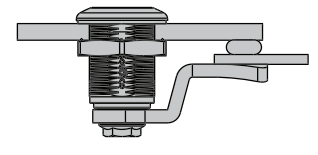
### Adjustable Grip



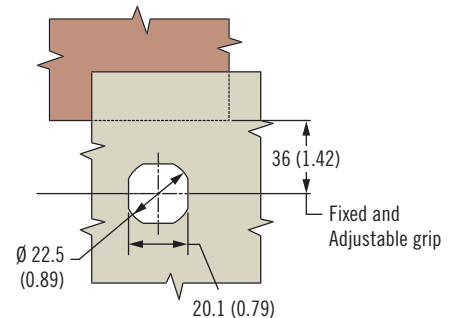
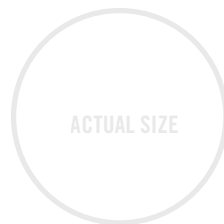
The first 30° turn: Cam rotates behind the frame



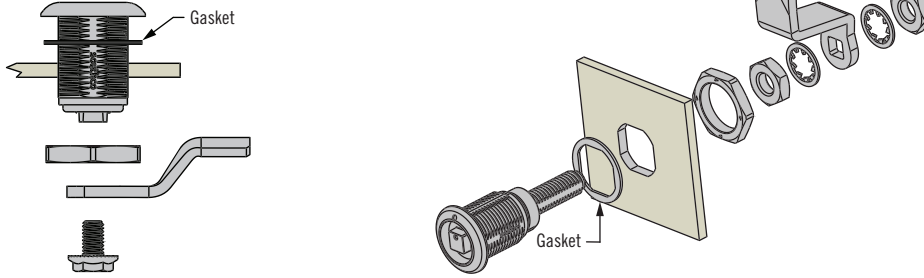
The cam then compresses during the remaining rotation



Completing the quarter turn motion, the shaft and cam compress to pull the door against the frame



### Latch Installation Method



### Part Number Selection

Order latch and cam separately

**R** Rotation ← → **M** Finish

**E9 - A0 HH R - 0 M**

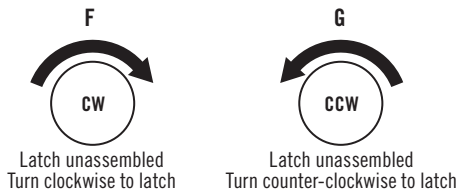
- M** Finish
- 1 Black powder coated
  - 2 Silver powder coated
  - 3 Chrome Plated

### HH Head Styles

00	01	02	03	04	05	06	07	08	09
Slotted recess	8 (.32) Hex recess	7 (.28) Triangle	8 (.32) Triangle	7 (.28) Square	8 (.32) Square	3 (.11) Double bit	5 (.19) Double bit	8 (.32) Square recess	SOUTHCO® Tubular key
10	11	12							
Bellcore 216	Bellcore electronics	Railway standard							

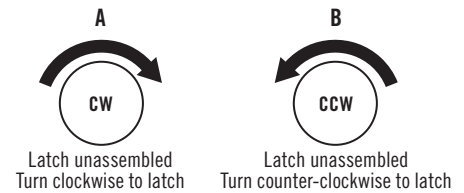
### R Rotation

### Fixed Grip

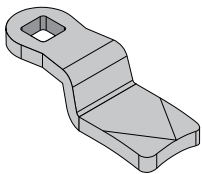


### R Rotation

### Adjustable Grip

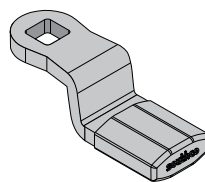


### Cam Options – See Page 112



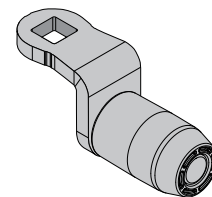
#### Cam

- Stable frame engagement
- Improved surface contact
- Minimal frame surface prep



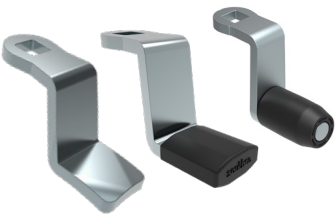
#### Protected Cam

- Protective cam covering
- Provides smoother operation
- Reduces scratching frame



#### Roller Cam

- Reduces operating effort
- Minimize scratching frame finish
- Detented feel (with optional keeper)



# E9 Quarter Turn Compression Latch Accessories

## Cams

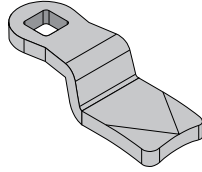
### Material and Finish

Cam: Steel

Protected cam: Steel, nylon

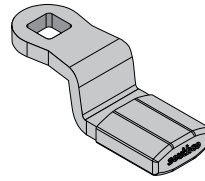
Roller cam: Steel, nylon

### Cam Options



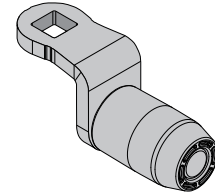
#### Cam

- Stable frame engagement
- Improved surface contact
- Minimal frame surface prep



#### Protected Cam

- Protective cam covering
- Provides smoother operation
- Reduces scratching frame



#### Roller Cam

- Reduces operating effort
- Minimize scratching frame finish
- Detented feel (with optional keeper)

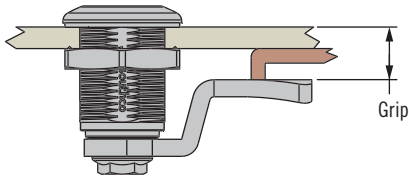
### Fixed Grip Cams – for use with E9 zinc latches

Cam Part Number Table (order separately from latch)

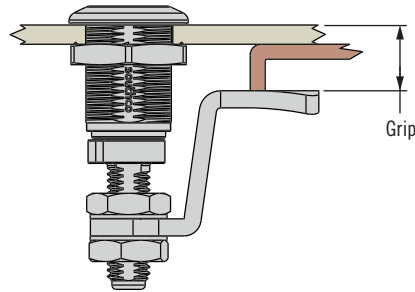
Grip	Cam Part Number	Grip	Protected Cam Part Number	Grip	Roller Cam Part Number
1 (.04)	E5-6126	1 (.04)	E5-6121-P	1 (.04)	E5-7116
3 (.12)	E5-6125	3 (.12)	E5-6120-P	3 (.12)	E5-7115
5 (.20)	E5-6124	5 (.20)	E5-6119-P	5 (.20)	E5-7114
7 (.28)	E5-6123	7 (.28)	E5-6118-P	7 (.28)	E5-7113
9 (.35)	E5-6101	9 (.35)	E5-6117-P	9 (.35)	E5-7112
11 (.43)	E5-6102	11 (.43)	E5-6116-P	11 (.43)	E5-7111
13 (.51)	E5-6103	13 (.51)	E5-6115-P	13 (.51)	E5-7110
15 (.59)	E5-6104	15 (.59)	E5-6114-P	15 (.59)	E5-7109
17 (.67)	E5-6105	17 (.67)	E5-6113-P		
19 (.75)	E5-6106	19 (.75)	E5-6112-P		
21 (.83)	E5-6107	21 (.83)	E5-6111-P		
23 (.91)	E5-6108	23 (.91)	E5-6110-P		
25 (.98)	E5-6109	25 (.98)	E5-6109-P	25 (.98)	E5-7109
27 (1.06)	E5-6110	27 (1.06)	E5-6110-P	27 (1.06)	E5-7110
29 (1.14)	E5-6111	29 (1.14)	E5-6111-P	29 (1.14)	E5-7111
31 (1.22)	E5-6112	31 (1.22)	E5-6112-P	31 (1.22)	E5-7112
33 (1.30)	E5-6113	33 (1.30)	E5-6113-P	33 (1.30)	E5-7113
35 (1.38)	E5-6114	35 (1.38)	E5-6114-P	35 (1.38)	E5-7114
37 (1.46)	E5-6115	37 (1.46)	E5-6115-P	37 (1.46)	E5-7115
39 (1.54)	E5-6116	39 (1.54)	E5-6116-P	39 (1.54)	E5-7116
41 (1.61)	E5-6117	41 (1.61)	E5-6117-P	41 (1.61)	E5-7117
43 (1.69)	E5-6118	43 (1.69)	E5-6118-P	43 (1.69)	E5-7118
45 (1.77)	E5-6119	45 (1.77)	E5-6119-P	45 (1.77)	E5-7119
47 (1.85)	E5-6120	47 (1.85)	E5-6120-P	47 (1.85)	E5-7120
49 (1.93)	E5-6121	49 (1.93)	E5-6121-P	49 (1.93)	E5-7121
51 (2.01)	E5-6122	51 (2.01)	E5-6122-P	51 (2.01)	E5-7122
		53 (2.09)	E5-6123-P		

If grip falls between two choices, use smaller option

### Fixed Grip Latch



### Adjustable Grip Latch



### Adjustable Grip Cams – for use with E9 zinc latches

Cam Part Number Table (order separately from latch)

Minimum Grip	Maximum Grip	Cam Type	Part Number
9 (.35)	20.5 (.81)	Offset cam	E5-4128
17 (.67)	28.5 (1.12)	Offset cam	E5-4124
25 (.98)	36.5 (1.44)	Offset cam	E5-4103
33 (1.30)	44.5 (1.75)	Offset cam	E5-4107
41 (1.61)	52.5 (2.07)	Offset cam	E5-4111
49 (1.93)	60.5 (2.38)	Offset cam	E5-4115
57 (2.24)	68.5 (2.70)	Offset cam	E5-4119
63 (2.48)	74.5 (2.93)	Offset cam	E5-4122

Protected Cam Part Number Table (order separately from latch)

Minimum Grip	Maximum Grip	Cam Type	Part Number
14 (.55)	25.5 (1.00)	Deep offset cam, forward	E5-4001
25.5 (1.00)	37 (1.46)	Offset cam, forward	E5-4002
37 (1.46)	48.5 (1.91)	Straight cam	E5-4003
48.5 (1.91)	60 (2.36)	Offset cam, reverse	E5-4002
60 (2.36)	71.5 (2.81)	Deep offset cam, reverse	E5-4001

Roller Cam Part Number Table (order separately from latch)

Minimum Grip	Maximum Grip	Cam Type	Part Number
3.5 (.14)	15 (.59)	Offset cam, forward	E5-4505
7.5 (.30)	19 (.75)	Offset cam, forward	E5-4506
17.5 (.69)	29 (1.14)	Offset cam, forward	E5-4507
27.5 (1.08)	39 (1.54)	Offset cam, forward	E5-4508
37 (1.46)	48.5 (1.91)	Offset cam, reversed	E5-4508
47 (1.85)	58.5 (2.30)	Offset cam, reversed	E5-4507
57 (2.24)	68.5 (2.70)	Offset cam, forward	E5-4506
61 (2.40)	72.5 (2.85)	Offset cam, forward	E5-4505

### Optional Keeper for Roller Cam

Part number E5-74-601-33

(if selected, add 4 mm to grip calculation)

