

Bellows suction cup (round)

FGA 110 NBR-55 N010

Part no...:10.01.06.00629

<https://www.schmalz.com/10.01.06.00629>

Home > Vacuum Technology for Automation > Vacuum Components > Vacuum Suction Cups > Bellows Suction Cups (Round) > FGA 110 NBR-55 N010

Bellows suction cup (round) with optimal adaptation to uneven surfaces



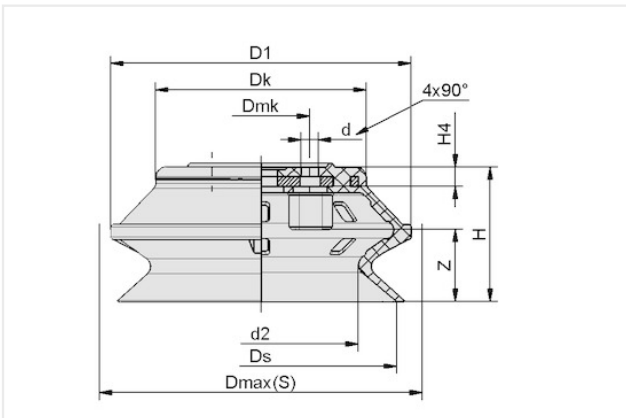
Size: 110

Suction cup material: Nitrile rubber NBR

Material hardness [Shore A]: 55 Shore A

Number of folds: 1.5

Design Data



| Attribute | Value |
|------------|--------|
| d | 7 mm |
| d2 | 80 mm |
| D1 | 123 mm |
| Dk | 86 mm |
| Dmax(S) | 130 mm |
| Dmk | 40 mm |
| Ds | 111 mm |
| H | 55 mm |
| H4 | 8 mm |
| Z (Stroke) | 29 mm |

Note: Acceptable dimensional tolerances for elastomer parts concerning to DIN ISO 3302-1 M3

Technical Data

| Attribute | Value |
|-----------------------------|--------------------|
| Number of folds | 1.50 |
| Size | 110 |
| Suction cup material | Nitrile rubber NBR |
| Material hardness [Shore A] | 55 Shore A |
| Product family | FGA |

Contact Schmalz

J. Schmalz GmbH | Johannes-Schmalz-Str.1, 72293 Glatten, Germany | +49 7443 2403-102 | customercenter@schmalz.de

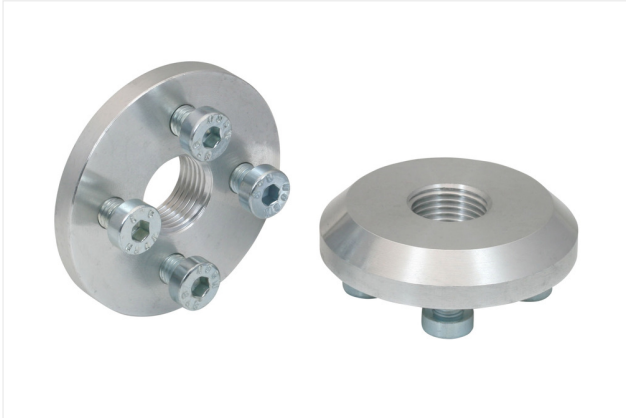
Bellows suction cup (round)

FGA 110 NBR-55 N010

Part no...:10.01.06.00629

<https://www.schmalz.com/10.01.06.00629>

Accessories



SA-NIP N010 G1/2-IG

Part no...:10.01.01.00796

Thread G1: G1/2"-F

Material: Aluminum