

Sack gripper

PSSG M 405x305 NBR-60 M6-IG

Číslo dílu...:10.01.54.00005

<https://www.schmalz.com/10.01.54.00005>

Domovská stránka > Vakuová technologie pro automatizaci > Vacuum Components > Vacuum Suction Cups > Grippers for Bag Handling > Sack Grippers PSSG-M > PSSG M 405x305 NBR-60 M6-IG

Gripper for the handling of paper, fabric and plastic bags



Shape: External vacuum generation

Suction cup length Ls: 405 mm

Suction cup width Bs: 305 mm

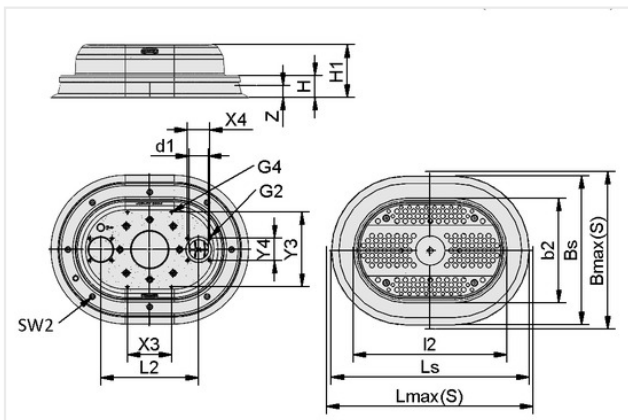
Height H: 45 mm

Material hardness [Shore A]: 60 Shore A

Add. function: NFC-TAG

Thread G4: M6-F

Údaje o konstrukci



Atribut	Wert
b2	213 mm
Bmax(S)	315 mm
Bs	305 mm
d1	39,50 mm
G2	M5-F
G4	M6-F
H	45 mm
H1	108 mm
L2	200 mm
l2	313 mm
Ls	405 mm
Lmax(S)	415 mm
SW2	4 mm
X3	90 mm
Hole spacing X4	45 mm
Y3	152,50 mm
Hole spacing Y4	45 mm
Z (Stroke)	25 mm
Add. function	NFC-TAG

Sack gripper

PSSG M 405x305 NBR-60 M6-IG

Číslo dílu...:10.01.54.00005

<https://www.schmalz.com/10.01.54.00005>

Technické údaje

Atribut	Wert
Dimensions (LxB)	405x305
Shape	External vacuum generation
Material	NBR
Material hardness [Shore A]	60 Shore A
Max. load (horizontal)	50 kg

Příslušenství



MOD-FLAN 191.5x191.5 PSSG FL-4

Číslo dílu...:10.01.54.00108

Length L: 191,5 mm

Width B: 191,5 mm

Shape: EMPTY VALUE

Construction use: PSSG



MOD-FLAN 170x130 PSSG RD

Číslo dílu...:10.01.54.00106

Length L: 170 mm

Width B: 130 mm

Construction use: PSSG

Shape: Rigid

Sack gripper

PSSG M 405x305 NBR-60 M6-IG

Číslo dílu...:10.01.54.00005

<https://www.schmalz.com/10.01.54.00005>



SCHL-AN W 60.5-60x60x45 PSSG

Číslo dílu...:10.01.54.00016

construction shape fittings: Angle

External diameter D: 60,5 mm

Height H: 45 mm

Hole spacing Y1: 45 mm

Hole spacing X1: 45 mm

Construction use: PSSG



SCHL-AN 60.5-60x60x55 PSSG

Číslo dílu...:10.01.54.00023

External diameter D: 60,5 mm

Height H: 55 mm

Hole spacing Y1: 45 mm

Hole spacing X1: 45 mm

Construction use: PSSG



WELLE 19x29.5 PSSG

Číslo dílu...:10.01.54.00027

External diameter D: 19 mm

Length L: 29,5 mm

Construction use: PSSG

Sack gripper

PSSG M 405x305 NBR-60 M6-IG

Číslo dílu...:10.01.54.00005

<https://www.schmalz.com/10.01.54.00005>



WELLE 19x42 PSSG

Číslo dílu...:10.01.54.00018

External diameter D: 19 mm

Length L: 42 mm

Construction use: PSSG



VSi V D M8-4

Číslo dílu...:10.06.02.00577

Measuring range: -1,0 ... 0,0 bar

Construction shape vacuum switch: with display

Electrical connection: Male connect M8, 4 pole

Indication: 2xLED

Protection type IP: IP 65



ASK B-M8-4 5000 S-M12-4

Číslo dílu...:21.04.05.00264

Electrical connection: Fem connect M8, 4 pol

Cable length: 5 000 mm

Material hose: PUR cable

Sack gripper

PSSG M 405x305 NBR-60 M6-IG

Číslo dílu...:10.01.54.00005

<https://www.schmalz.com/10.01.54.00005>



ASK-S B-M8-4 1500 S-M12-4 PUR

Číslo dílu...:21.04.05.00075

Electrical connection: Fem connect M8, 4 pol

Cable length: 1 500 mm

Material hose: PUR cable



SB 195 440 3 IE3-TYP1

Číslo dílu...:10.04.01.00090

Suction rate (50 Hz): 195 m³/h

Suction rate (60 Hz): 235 m³/h

Vacuum (50 Hz): 440 mbar

Vacuum (60 Hz): 400 mbar

Rated power 50 Hz: 3 kW

Rated power 60 Hz: 3,6 kW

Voltage at 50Hz: D230V/Y400V ±10%

Voltage at 60Hz: D265V/Y460V ±10%

Construction: IE3:EU/CN/IND

Permission: UL/CSA

Permission: UL/CSA

Weight: 49 kg



SB 235 400 3.6 IE3-TYP2

Číslo dílu...:10.04.01.00092

Suction rate (60 Hz): 235 m³/h

Vacuum (60 Hz): 400 mbar

Rated power 60 Hz: 3,6 kW

Voltage at 60Hz: YY230/Y460V ±10%

Construction: IE3:US/CAN

Permission: UL/CSA

Permission: UL/CSA

Weight: 49 kg

Sack gripper

PSSG M 405x305 NBR-60 M6-IG

Číslo dílu...:10.01.54.00005

<https://www.schmalz.com/10.01.54.00005>



SB 195 440 3 IE3-TYP3

Číslo dílu...:10.04.01.00091

Suction rate (50 Hz): 195 m³/h

Suction rate (60 Hz): 235 m³/h

Vacuum (50 Hz): 440 mbar

Vacuum (60 Hz): 400 mbar

Rated power 50 Hz: 3 kW

Rated power 60 Hz: 3,6 kW

Voltage at 50Hz: D200V/Y350V ±10 %

Voltage at 60Hz: D220V/Y380-400V ±10%

Construction: IE3:JPN/KOR/BRA

Permission: IE3

Weight: 49 kg



STF 60 P 4.5 SSD

Číslo dílu...:10.07.01.00259

Connection: Ø60mm

Shape: Piclon housing

Nominal flow rate: 270 m³/h

Filter pore size: 3 µm

Additional function: Hose clamps SSD



VSL 71-60 PU-DS-AS TR

Číslo dílu...:10.07.09.00034

External diameter D: 71 mm

Internal diameter d: 60 mm

Length max.: 20 m

Material hose: PU, wire spiral, antistatic

Bending radius min.: 40 mm

Pressure range (operating pressure): -0.69 ... 2.09 bar

Operating temperature: -40 ... 90 °C

Sack gripper

PSSG M 405x305 NBR-60 M6-IG

Číslo dílu...:10.01.54.00005

<https://www.schmalz.com/10.01.54.00005>

Náhradní díly



DR-PSSG 405x305 NBR-60

Číslo dílu...:10.01.54.00009

Sealing material: Nitrile rubber

Construction use: PSSG

Length L: 405 mm

Width B: 305 mm

Material hardness [Shore A]: 60 Shore A



ERS PSSG-405x305 DR-NBR60+B

Číslo dílu...:10.01.54.00090

Construction use: PSSG

Size: 405x305



DR-PSSG 405x305 SI-55

Číslo dílu...:10.01.54.00024

Sealing material: Silicone SI

Construction use: PSSG

Length L: 405 mm

Width B: 305 mm

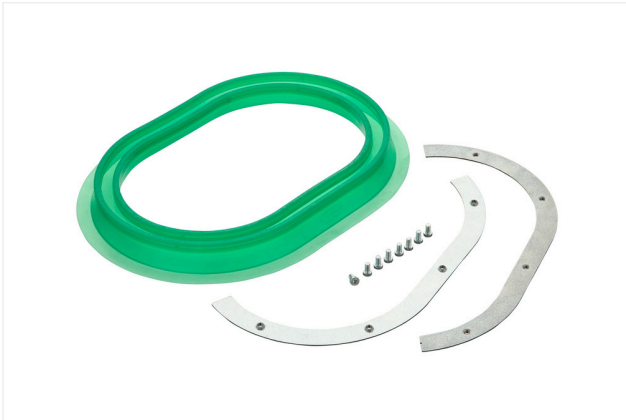
Material hardness [Shore A]: 55 Shore A

Sack gripper

PSSG M 405x305 NBR-60 M6-IG

Číslo dílu...:10.01.54.00005

<https://www.schmalz.com/10.01.54.00005>

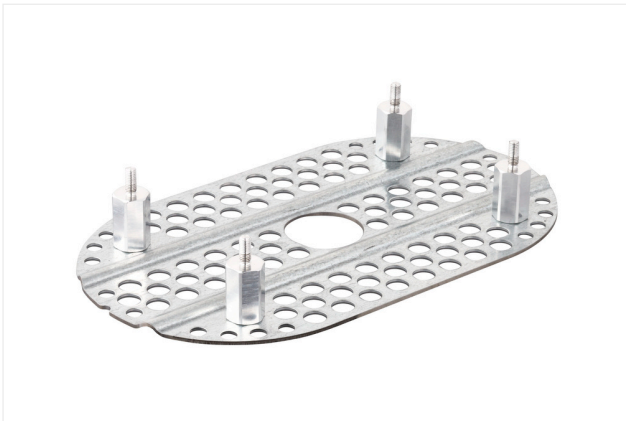


ERS PSSG-405x305 DR-SI55+B

Číslo dílu...:10.01.54.00091

Construction use: PSSG

Size: 405x305



LOCH-PL 288x188x31.5 ST PSSG

Číslo dílu...:10.01.54.00058

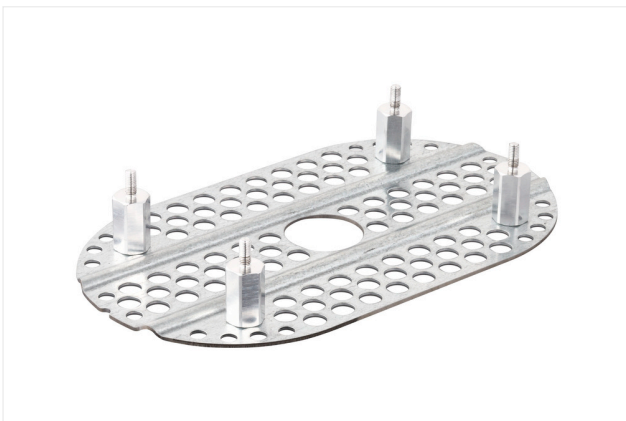
Length L: 288 mm

Width B: 188 mm

Height H: 31,5 mm

Material: Steel

Construction use: PSSG



LOCH-PL 288x188x44 ST PSSG

Číslo dílu...:10.01.54.00055

Length L: 288 mm

Width B: 188 mm

Height H: 44 mm

Material: Steel

Construction use: PSSG

Sack gripper

PSSG M 405x305 NBR-60 M6-IG

Číslo dílu...:10.01.54.00005

<https://www.schmalz.com/10.01.54.00005>



ERS-SET-FILT-PL PSSG 405x305

Číslo dílu...:10.01.54.00078

Construction use: PSSG

Size: 405x305