

Sack gripper

PSSG M 290x215 SI-55 M6-IG

Číslo dílu...:10.01.54.00032

<https://www.schmalz.com/10.01.54.00032>

Domovská stránka > Vakuová technologie pro automatizaci > Vacuum Components > Vacuum Suction Cups > Grippers for Bag Handling > Sack Grippers PSSG-M > PSSG M 290x215 SI-55 M6-IG

Gripper for the handling of paper, fabric and plastic bags



Shape: External vacuum generation

Suction cup length Ls: 290 mm

Suction cup width Bs: 215 mm

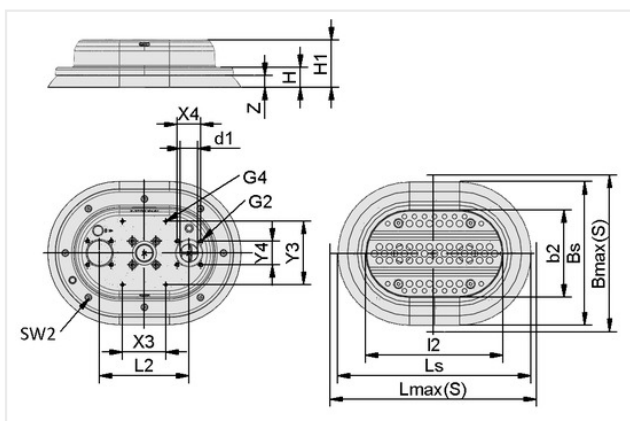
Height H: 30 mm

Material hardness [Shore A]: 55 Shore A

Add. function: NFC-TAG

Thread G4: M6-F

Údaje o konstrukci



Atribut	Wert
b2	131 mm
Bmax(S)	220 mm
Bs	215 mm
d1	26,50 mm
G2	M5-F
G4	M6-F
H	30 mm
H1	72 mm
L2	134 mm
I2	206 mm
Ls	290 mm
Lmax(S)	295 mm
SW2	3 mm
X3	65 mm
Hole spacing X4	35 mm
Y3	95 mm
Hole spacing Y4	35 mm
Z (Stroke)	11 mm
Add. function	NFC-TAG

Sack gripper

PSSG M 290x215 SI-55 M6-IG

Číslo dílu...:10.01.54.00032

<https://www.schmalz.com/10.01.54.00032>

Technické údaje

Atribut	Wert
Dimensions (LxB)	290x215
Shape	External vacuum generation
Material	SI
Material hardness [Shore A]	55 Shore A
Max. load (horizontal)	15 kg

Příslušenství



MOD-FLAN 175x134 PSSG FL-4

Číslo dílu...:10.01.54.00105

Length L: 175 mm

Width B: 134 mm

Shape: EMPTY VALUE

Construction use: PSSG



MOD-FLAN 132x96 PSSG RD

Číslo dílu...:10.01.54.00107

Length L: 132 mm

Width B: 96 mm

Construction use: PSSG

Shape: Rigid

Sack gripper

PSSG M 290x215 SI-55 M6-IG

Číslo dílu...:10.01.54.00032

<https://www.schmalz.com/10.01.54.00032>



SCHL-AN W 32.5-47x47x35 PSSG

Číslo dílu...:10.01.54.00050

construction shape fittings: Angle

External diameter D: 32,5 mm

Height H: 35 mm

Hole spacing Y1: 35 mm

Hole spacing X1: 35 mm

Construction use: PSSG



SCHL-AN 32.5-47x47x48 PSSG

Číslo dílu...:10.01.54.00038

External diameter D: 32,5 mm

Height H: 48 mm

Hole spacing Y1: 35 mm

Hole spacing X1: 35 mm

Construction use: PSSG



WELLE 16.5x27 PSSG

Číslo dílu...:10.01.54.00045

External diameter D: 16,5 mm

Length L: 27 mm

Construction use: PSSG

Sack gripper

PSSG M 290x215 SI-55 M6-IG

Číslo dílu...:10.01.54.00032

<https://www.schmalz.com/10.01.54.00032>



VSi V D M8-4

Číslo dílu...:10.06.02.00577

Measuring range: -1,0 ... 0,0 bar

Construction shape vacuum switch: with display

Electrical connection: Male connect M8, 4 pole

Indication: 2xLED

Protection type IP: IP 65



ASK B-M8-4 5000 S-M12-4

Číslo dílu...:21.04.05.00264

Electrical connection: Fem connect M8, 4 pol

Cable length: 5 000 mm

Material hose: PUR cable



ASK-S B-M8-4 1500 S-M12-4 PUR

Číslo dílu...:21.04.05.00075

Electrical connection: Fem connect M8, 4 pol

Cable length: 1 500 mm

Material hose: PUR cable

Sack gripper

PSSG M 290x215 SI-55 M6-IG

Číslo dílu...:10.01.54.00032

<https://www.schmalz.com/10.01.54.00032>



EVE-TR 80 AC3 IE3-TYP1 F

Číslo dílu...:10.03.01.00337

Current type: three-phase current

Sound level at 50 Hz: 72 dB(A)

Voltage at 50Hz: D230V/Y400V ±10%

Voltage at 60Hz: D265V/Y460V ±10%

Suction rate (50 Hz): 67 m³/h

Suction rate (60 Hz): 78,5 m³/h

Vacuum (50 Hz): -900 mbar

Rated power 50 Hz: 2,2 kW

Rated power 60 Hz: 2,6 kW

Construction: IE3:EU/CN/IND

with: Filter

Permission: IE3

Weight: 78 kg



EVE-TR 80 AC3 IE3-TYP2 F

Číslo dílu...:10.03.01.00338

Current type: three-phase current

Voltage at 60Hz: YY230/Y460V ±10%

Suction rate (60 Hz): 78,5 m³/h

Rated power 60 Hz: 2,6 kW

Construction: IE3:US/CAN

with: Filter

Permission: UL/CSA

Weight: 86 kg

Sack gripper

PSSG M 290x215 SI-55 M6-IG

Číslo dílu...:10.01.54.00032

<https://www.schmalz.com/10.01.54.00032>



EVE-TR 80 AC3 IE3-TYP3 F

Číslo dílu...:10.03.01.00382

Current type: three-phase current

Sound level at 50 Hz: 72 dB(A)

Voltage at 50Hz: D200/Y350V ±10% (o. IE3)

Voltage at 60Hz: D220V/Y380-400V ±10%

Suction rate (50 Hz): 67 m³/h

Suction rate (60 Hz): 78,5 m³/h

Vacuum (50 Hz): -900 mbar

Rated power 50 Hz: 2,2 kW

Rated power 60 Hz: 2,6 kW

Construction: IE3:JPN/KOR/BRA

with: Filter

Permission: UL/CSA

Weight: 86 kg



VSL 42-32 PU-DS-AS TR

Číslo dílu...:10.07.09.00036

External diameter D: 42 mm

Internal diameter d: 32 mm

Length max.: 20 m

Material hose: PU, wire spiral, antistatic

Bending radius min.: 25 mm

Pressure range (operating pressure): -1.00 ... 3.77 bar

Operating temperature: -40 ... 90 °C

Náhradní díly

Kontaktujte společnost Schmalz

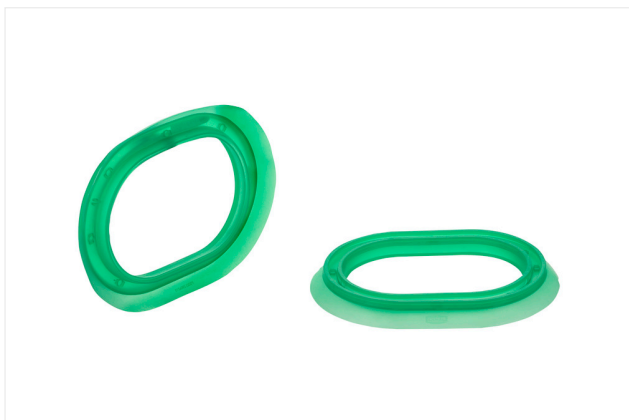
Schmalz s.r.o. | Družstevní 2169, 75301 Hranice, Czech Republic | +420 581 621 021 | schmalz@schmalz.cz

Sack gripper

PSSG M 290x215 SI-55 M6-IG

Číslo dílu...:10.01.54.00032

<https://www.schmalz.com/10.01.54.00032>



DR-PSSG 290x215 SI-55

Číslo dílu...:10.01.54.00054

Sealing material: Silicone SI

Construction use: PSSG

Length L: 290 mm

Width B: 215 mm

Material hardness [Shore A]: 55 Shore A



ERS PSSG-290x215 DR-SI55+B

Číslo dílu...:10.01.54.00095

Construction use: PSSG

Size: 290x215



DR-PSSG 290x215 NBR-60

Číslo dílu...:10.01.54.00043

Sealing material: Nitrile rubber

Construction use: PSSG

Length L: 290 mm

Width B: 215 mm

Material hardness [Shore A]: 60 Shore A

Sack gripper

PSSG M 290x215 SI-55 M6-IG

Číslo dílu...:10.01.54.00032

<https://www.schmalz.com/10.01.54.00032>

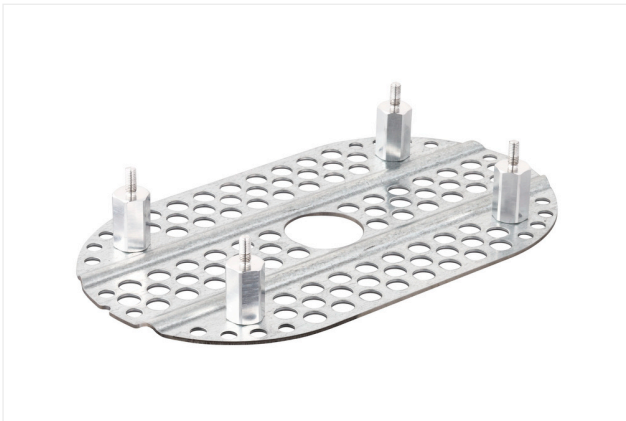


ERS PSSG-290x215 DR-NBR60+B

Číslo dílu...:10.01.54.00094

Construction use: PSSG

Size: 290x215



LOCH-PL 202x127x29 ST PSSG

Číslo dílu...:10.01.54.00057

Length L: 202 mm

Width B: 127 mm

Height H: 29 mm

Material: Steel

Construction use: PSSG



ERS-SET-FILT-PL PSSG 290x215

Číslo dílu...:10.01.54.00082

Construction use: PSSG

Size: 290x215