

Robots-Set FXCB

ROB-SET FXCB FANUC SPB2

Číslo dílu...:10.01.43.00148

<https://www.schmalz.com/10.01.43.00148>

Domovská stránka > Vakuová technologie pro automatizaci > Vacuum Components > Area Gripping Systems and End Effectors > Area Gripping Systems FXCB/FMCB > Handling Sets FXCB > ROB-SET FXCB FANUC SPB2

Complete vacuum system for connecting to lightweight robots



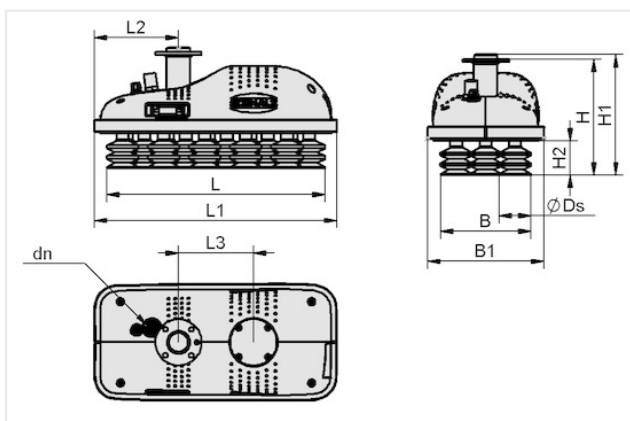
for: FANUC

Type: CRX

Construction shape vacuum switch: NPN switching

Control valve: Normally open

Údaje o konstrukci



| Atribut | Wert |
|---------|-----------|
| B | 123,20 mm |
| B1 | 159 mm |
| H | 158 mm |
| H1 | 164 mm |
| H2 | 47 mm |
| L | 297 mm |
| L1 | 331 mm |
| L2 | 114,40 mm |
| L3 | 102 mm |
| dn | 10 mm |

Technické údaje

| Atribut | Wert |
|--------------------------|--------------|
| Weight | 2 kg |
| Suction rate (max.) | 525,90 l/min |
| Number of suction cells | 15 |
| Lift capacity (vertical) | 80 N |
| Max. load (horizontal) | 350 N |
| for | FANUC |
| Product family | ROB-SET-FXCB |

Kontaktujte společnost Schmalz

Schmalz s.r.o. | Družstevní 2169, 75301 Hranice, Czech Republic | +420 581 621 021 | schmalz@schmalz.cz

Robots-Set FXCB

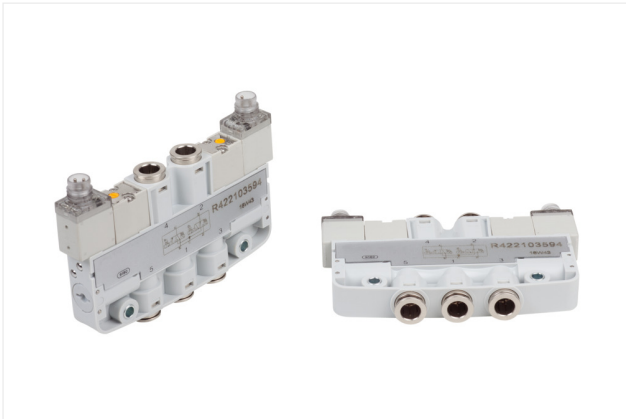
ROB-SET FXCB FANUC SPB2

Číslo dílu...:10.01.43.00148

<https://www.schmalz.com/10.01.43.00148>

The technical properties of the robot types may vary by region. The stated compatibility of the set is based on standard European models.

Náhradní díly



EMVP 2.35 24V-DC 2x3/2 NO/NC CAR

Číslo dílu...:10.01.11.03420

Length L: 82,1 mm

Width B: 53,7 mm

Height H: 10,8 mm



SD 97x34x20 FXCB

Číslo dílu...:10.01.43.00005

Length L: 97 mm

Width B: 34 mm

Height H: 20 mm



VSi V D M8-4

Číslo dílu...:10.06.02.00577

Measuring range: -1,0 ... 0,0 bar

Construction shape vacuum switch: with display

Electrical connection: Male connect M8, 4 pole

Indication: 2xLED

Protection type IP: IP 65

Kontaktujte společnost Schmalz

Schmalz s.r.o. | Družstevní 2169, 75301 Hranice, Czech Republic | +420 581 621 021 | schmalz@schmalz.cz

Robots-Set FXCB

ROB-SET FXCB FANUC SPB2

Číslo dílu...:10.01.43.00148

<https://www.schmalz.com/10.01.43.00148>



SPB2 40 SI-55 P

Číslo dílu...:10.01.06.03126

Size: 40

Suction cup material: Silicone SI

Material hardness [Shore A]: 55 Shore A

Number of folds: 2,5

Shape: Push In