

Robots-Set FXCB

ROB-SET FXCB FANUC O20

Číslo dílu...:10.01.43.00149

<https://www.schmalz.com/10.01.43.00149>

Domovská stránka > Vakuová technologie pro automatizaci > Vacuum Components > Area Gripping Systems and End Effectors > Area Gripping Systems FXCB/FMCB > Handling Sets FXCB > ROB-SET FXCB FANUC O20

Complete vacuum system for connecting to lightweight robots



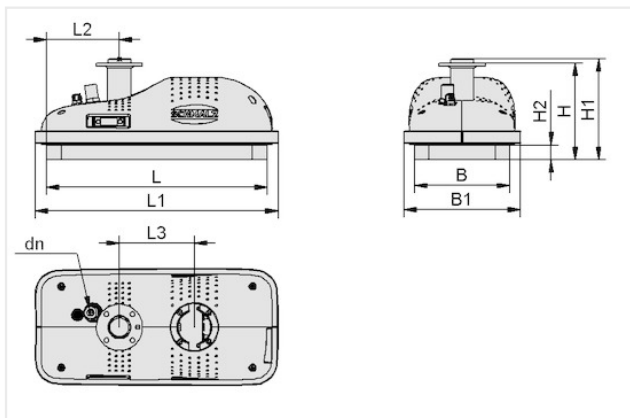
for: FANUC

Type: CRX

Construction shape vacuum switch: NPN switching

Control valve: Normally open

Údaje o konstrukci



Atribut	Wert
B	130 mm
B1	159 mm
H	131,40 mm
H1	137,40 mm
H2	20 mm
L	300 mm
L1	331 mm
L2	99 mm
L3	102 mm
dn	10 mm

Technické údaje

Atribut	Wert
Weight	2 kg
Suction rate (max.)	525,90 l/min
Material type	Foam O, Height 20 mm
Number of suction cells	45
Lift capacity (vertical)	80 N
Max. load (horizontal)	350 N
for	FANUC
Product family	ROB-SET-FXCB

[Kontaktujte společnost Schmalz](#)

Schmalz s.r.o. | Družstevní 2169, 75301 Hranice, Czech Republic | +420 581 621 021 | schmalz@schmalz.cz

Robots-Set FXCB

ROB-SET FXCB FANUC O20

Číslo dílu...:10.01.43.00149

<https://www.schmalz.com/10.01.43.00149>

The technical properties of the robot types may vary by region. The stated compatibility of the set is based on standard European models.

Náhradní díly



EMVP 2.35 24V-DC 2x3/2 NO/NC CAR

Číslo dílu...:10.01.11.03420

Length L: 82,1 mm

Width B: 53,7 mm

Height H: 10,8 mm



SD 97x34x20 FXCB

Číslo dílu...:10.01.43.00005

Length L: 97 mm

Width B: 34 mm

Height H: 20 mm



VSi V D M8-4

Číslo dílu...:10.06.02.00577

Measuring range: -1,0 ... 0,0 bar

Construction shape vacuum switch: with display

Electrical connection: Male connect M8, 4 pole

Indication: 2xLED

Protection type IP: IP 65

Robots-Set FXCB

ROB-SET FXCB FANUC O20

Číslo dílu...:10.01.43.00149

<https://www.schmalz.com/10.01.43.00149>



DI-PL 300x130 3R18 LL-20x7 O20 KE

Číslo dílu...:10.01.11.03658

Length L: 300 mm

Width B: 130 mm

Height H: 20 mm

Construction use: Vacuum area gripping system

Arrangement: 3R18

Add. function: Adhesive tape on one side