

## Vacuum distributor

VTR G1-1/2-IG 5xG1 POM

Part no...:10.09.03.00096

<https://www.schmalz.com/10.09.03.00096>

Home > Vacuum Technology for Automation > Vacuum Components > Filters and Connections > Vacuum Distributors > Vacuum / Compressed Air Distributors VTR > VTR G1-1/2-IG 5xG1 POM

### Vacuum/compressed-air distributor



Inlet: G1-1/2"-IG

Disposals: 5 x thread G1"-F

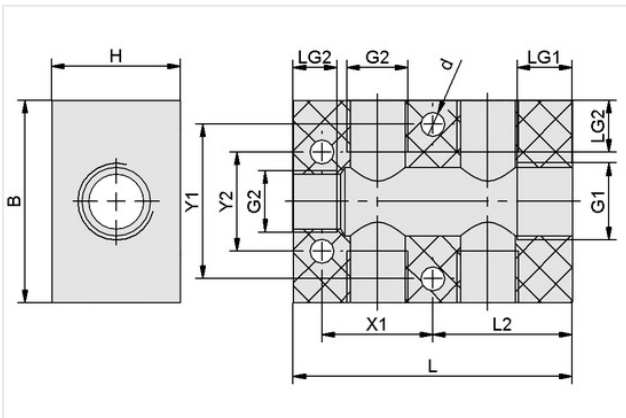
Length L: 150 mm

Width B: 80 mm

Height H: 60 mm

Material: Polyoxymethylene

### Design Data



Attribute	Value
Distribution type	5 x thread G1"-F
B	80 mm
d	6.50 mm
G1	G1-1/2"-F
G2	G1"-F
H	60 mm
L	150 mm
L2	75 mm
LG1	22 mm
LG2	20 mm
Y1	55 mm

### Technical Data

Attribute	Value
Weight	682 g
Material	Polyoxymethylene
Product family	VTR

### Contact Schmalz

J. Schmalz GmbH | Johannes-Schmalz-Str.1, 72293 Glatten, Germany | +49 7443 2403-102 | [customercenter@schmalz.de](mailto:customercenter@schmalz.de)

## Vacuum distributor

VTR G1-1/2-IG 5xG1 POM

Part no...:10.09.03.00096

<https://www.schmalz.com/10.09.03.00096>

### Accessories



#### ST G1-1/2-AG 38 MS-V

Part no...:10.08.03.00170

Thread G1: G1-1/2"-M

Hose diameter (rec.) d: 38 mm

Material: Brass

Surface: nickel plated

Length L: 12.2 mm

Nominal diameter dn: 29.9 mm



#### ST G1-AG 25 MS-V

Part no...:10.08.03.00167

Thread G1: G1"-M

Hose diameter (rec.) d: 25 mm

Material: Brass

Surface: nickel plated

Length L: 10.1 mm

Nominal diameter dn: 22 mm



#### ST G1-AG 32 MS-V

Part no...:10.08.03.00168

Thread G1: G1"-M

Hose diameter (rec.) d: 32 mm

Material: Brass

Surface: nickel plated

Length L: 10.5 mm

Nominal diameter dn: 26 mm