

## Vacuum distributor

VTR G1-1/4-IG 9xG3/4 POM

Part no...:10.09.03.00095

<https://www.schmalz.com/10.09.03.00095>

Home > Vacuum Technology for Automation > Vacuum Components > Filters and Connections > Vacuum Distributors > Vacuum / Compressed Air Distributors VTR > VTR G1-1/4-IG 9xG3/4 POM

### Vacuum/compressed-air distributor



Inlet: G1-1/4"-IG

Disposals: 9 x thread G3/4"-F

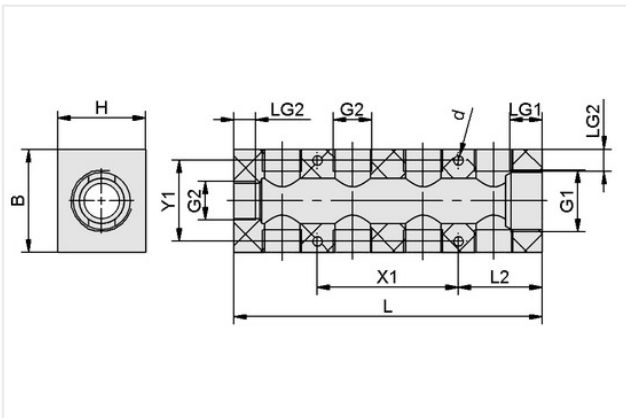
Length L: 210 mm

Width B: 70 mm

Height H: 60 mm

Material: Polyoxymethylene

### Design Data



Attribute	Value
Distribution type	9 x thread G3/4"-F
B	70 mm
d	6.50 mm
G1	G1-1/4"-F
G2	G3/4"-F
H	60 mm
L	210 mm
L2	57 mm
LG1	22 mm
LG2	15 mm
X1	96 mm
Y1	55 mm

### Technical Data

Attribute	Value
Weight	810.20 g
Material	Polyoxymethylene
Product family	VTR

## Vacuum distributor

VTR G1-1/4-IG 9xG3/4 POM

Part no...:10.09.03.00095

<https://www.schmalz.com/10.09.03.00095>

### Accessories



#### ST G1-1/4-AG 38 MS-V

Part no...:10.08.03.00123

Thread G1: G1-1/4"-M

Hose diameter (rec.) d: 38 mm

Material: Brass

Surface: nickel plated

Length L: 8 mm

Nominal diameter dn: 32.8 mm



#### ST G1-1/4-AG 32 MS-V

Part no...:10.08.03.00169

Thread G1: G1-1/4"-M

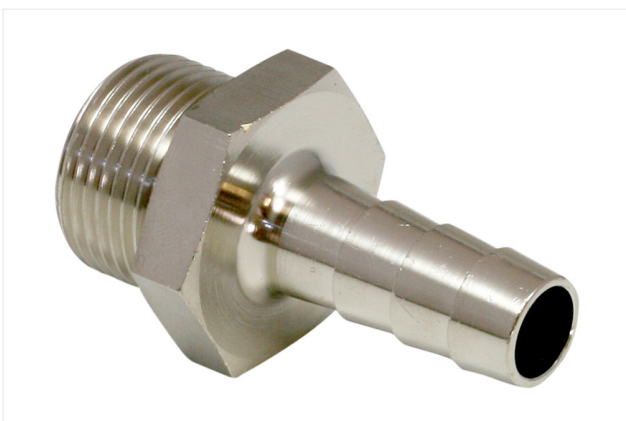
Hose diameter (rec.) d: 32 mm

Material: Brass

Surface: nickel plated

Length L: 10.3 mm

Nominal diameter dn: 27.9 mm



#### ST G3/4-AG 13 MS-V

Part no...:10.08.03.00164

Thread G1: G3/4"-M

Hose diameter (rec.) d: 13 mm

Material: Brass

Surface: nickel plated

Length L: 8 mm

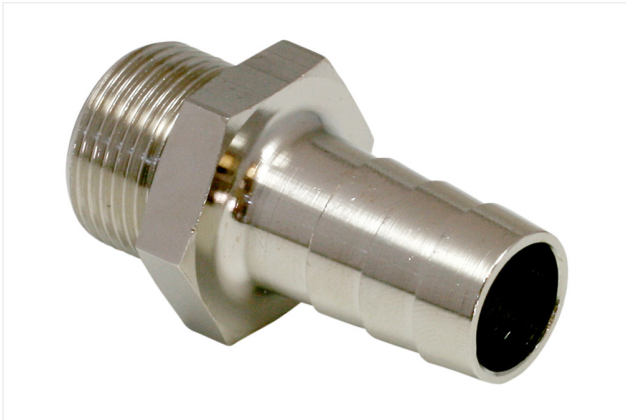
Nominal diameter dn: 10.4 mm

## Vacuum distributor

VTR G1-1/4-IG 9xG3/4 POM

Part no...:10.09.03.00095

<https://www.schmalz.com/10.09.03.00095>



### ST G3/4-AG 19 MS-V

Part no...:10.08.03.00165

Thread G1: G3/4"-M

Hose diameter (rec.) d: 19 mm

Material: Brass

Surface: nickel plated

Length L: 7.8 mm

Nominal diameter dn: 16 mm



### ST G3/4-AG 25 MS-V

Part no...:10.08.03.00166

Thread G1: G3/4"-M

Hose diameter (rec.) d: 25 mm

Material: Brass

Surface: nickel plated

Length L: 8.5 mm

Nominal diameter dn: 18.5 mm