

Vacuum distributor

VTR G1-IG 9xG1/2 POM

Part no...:10.09.03.00091

<https://www.schmalz.com/10.09.03.00091>

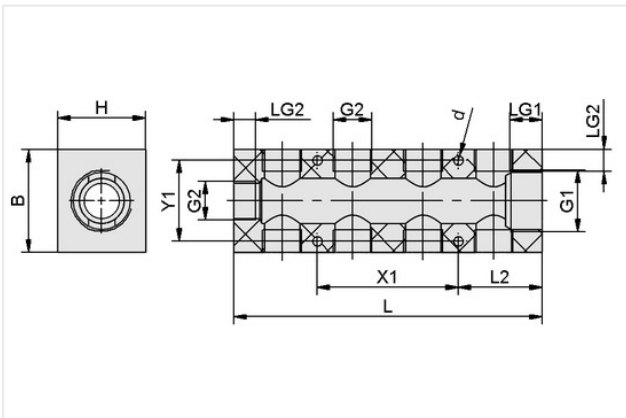
Home > Vacuum Technology for Automation > Vacuum Components > Filters and Connections > Vacuum Distributors > Vacuum / Compressed Air Distributors VTR > VTR G1-IG 9xG1/2 POM

Vacuum/compressed-air distributor



Inlet: G1"-IG
Disposals: 9 x thread G1/2"-F
Length L: 160 mm
Width B: 55 mm
Height H: 50 mm
Material: Polyoxymethylene

Design Data



Attribute	Value
Distribution type	9 x thread G1/2"-F
B	55 mm
d	6.50 mm
G1	G1"-F
G2	G1/2"-F
H	50 mm
L	160 mm
L2	45 mm
LG1	20 mm
LG2	11 mm
X1	70 mm
Y1	42 mm

Technical Data

Attribute	Value
Weight	416 g
Material	Polyoxymethylene
Product family	VTR

Vacuum distributor

VTR G1-IG 9xG1/2 POM

Part no...:10.09.03.00091

<https://www.schmalz.com/10.09.03.00091>

Accessories



ST G1-AG 25 MS-V

Part no...:10.08.03.00167

Thread G1: G1"-M

Hose diameter (rec.) d: 25 mm

Material: Brass

Surface: nickel plated

Length L: 10.1 mm

Nominal diameter dn: 22 mm



ST G1-AG 32 MS-V

Part no...:10.08.03.00168

Thread G1: G1"-M

Hose diameter (rec.) d: 32 mm

Material: Brass

Surface: nickel plated

Length L: 10.5 mm

Nominal diameter dn: 26 mm



ST G1/2-AG 9 MS-V

Part no...:10.08.03.00161

Thread G1: G1/2"-M

Hose diameter (rec.) d: 9 mm

Material: Brass

Surface: nickel plated

Length L: 6.1 mm

Nominal diameter dn: 7.5 mm

Vacuum distributor

VTR G1-IG 9xG1/2 POM

Part no...:10.09.03.00091

<https://www.schmalz.com/10.09.03.00091>



ST G1/2-AG 13 MS-V

Part no...:10.08.03.00162

Thread G1: G1/2"-M

Hose diameter (rec.) d: 13 mm

Material: Brass

Surface: nickel plated

Length L: 6 mm

Nominal diameter dn: 11 mm



ST G1/2-AG 19 MS-V

Part no...:10.08.03.00163

Thread G1: G1/2"-M

Hose diameter (rec.) d: 19 mm

Material: Brass

Surface: nickel plated

Length L: 10 mm

Nominal diameter dn: 14.3 mm