

Vacuum distributor

VTR G1-IG 5xG3/4 POM

Part no...:10.09.03.00094

<https://www.schmalz.com/10.09.03.00094>

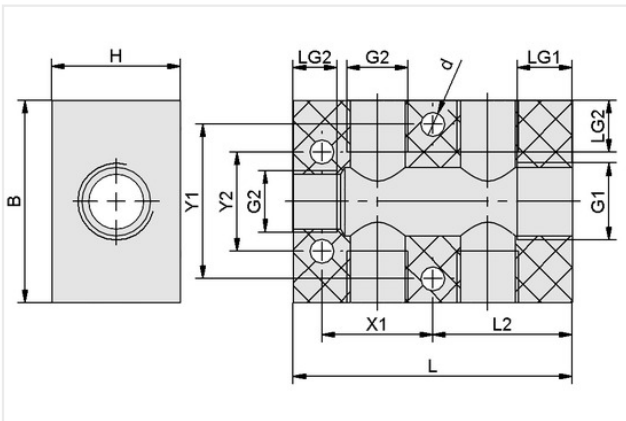
Home > Vacuum Technology for Automation > Vacuum Components > Filters and Connections > Vacuum Distributors > Vacuum / Compressed Air Distributors VTR > VTR G1-IG 5xG3/4 POM

Vacuum/compressed-air distributor



Inlet: G1"-IG
 Disposals: 5 x thread G3/4"-F
 Length L: 110 mm
 Width B: 55 mm
 Height H: 50 mm
 Material: Polyoxymethylene

Design Data



Attribute	Value
Distribution type	5 x thread G3/4"-F
B	55 mm
d	6.50 mm
G1	G1"-F
G2	G3/4"-F
H	50 mm
L	110 mm
L2	55 mm
LG1	20 mm
LG2	15 mm
Y1	42 mm

Technical Data

Attribute	Value
Weight	281 g
Material	Polyoxymethylene
Product family	VTR

Vacuum distributor

VTR G1-IG 5xG3/4 POM

Part no...:10.09.03.00094

<https://www.schmalz.com/10.09.03.00094>

Accessories



ST G1-AG 25 MS-V

Part no...:10.08.03.00167

Thread G1: G1"-M

Hose diameter (rec.) d: 25 mm

Material: Brass

Surface: nickel plated

Length L: 10.1 mm

Nominal diameter dn: 22 mm



ST G1-AG 32 MS-V

Part no...:10.08.03.00168

Thread G1: G1"-M

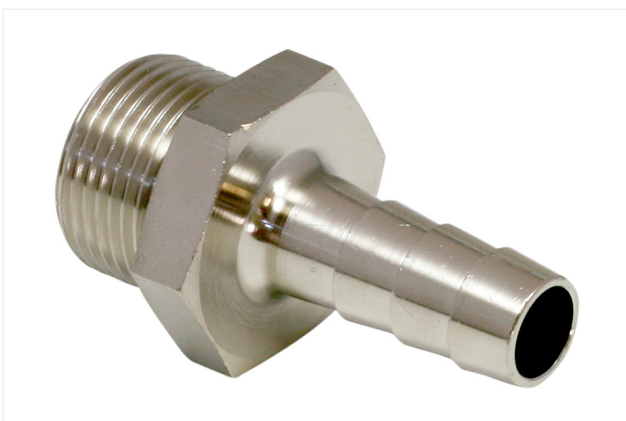
Hose diameter (rec.) d: 32 mm

Material: Brass

Surface: nickel plated

Length L: 10.5 mm

Nominal diameter dn: 26 mm



ST G3/4-AG 13 MS-V

Part no...:10.08.03.00164

Thread G1: G3/4"-M

Hose diameter (rec.) d: 13 mm

Material: Brass

Surface: nickel plated

Length L: 8 mm

Nominal diameter dn: 10.4 mm

Contact Schmalz

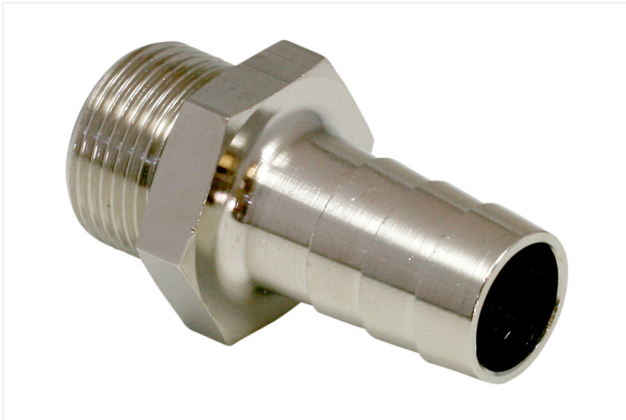
J. Schmalz GmbH | Johannes-Schmalz-Str.1, 72293 Glatten, Germany | +49 7443 2403-102 | customercenter@schmalz.de

Vacuum distributor

VTR G1-IG 5xG3/4 POM

Part no...:10.09.03.00094

<https://www.schmalz.com/10.09.03.00094>



ST G3/4-AG 19 MS-V

Part no...:10.08.03.00165

Thread G1: G3/4"-M

Hose diameter (rec.) d: 19 mm

Material: Brass

Surface: nickel plated

Length L: 7.8 mm

Nominal diameter dn: 16 mm



ST G3/4-AG 25 MS-V

Part no...:10.08.03.00166

Thread G1: G3/4"-M

Hose diameter (rec.) d: 25 mm

Material: Brass

Surface: nickel plated

Length L: 8.5 mm

Nominal diameter dn: 18.5 mm