

## Vacuum distributor

VTR G3/4-IG 5xG1/2 POM

Part no...:10.09.03.00093

<https://www.schmalz.com/10.09.03.00093>

Home > Vacuum Technology for Automation > Vacuum Components > Filters and Connections > Vacuum Distributors > Vacuum / Compressed Air Distributors VTR > VTR G3/4-IG 5xG1/2 POM

### Vacuum/compressed-air distributor



Inlet: G3/4"-IG

Disposals: 5 x thread G1/2"-F

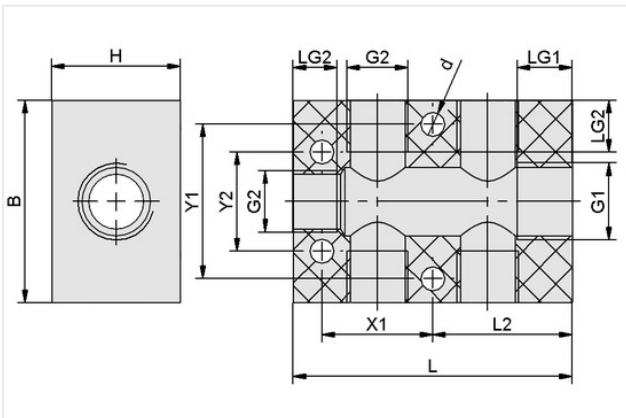
Length L: 90 mm

Width B: 55 mm

Height H: 50 mm

Material: Polyoxymethylene

### Design Data



Attribute	Value
Distribution type	5 x thread G1/2"-F
B	55 mm
d	6.50 mm
G1	G3/4"-F
G2	G1/2"-F
H	50 mm
L	90 mm
L2	45 mm
LG1	16 mm
LG2	11 mm
Y1	42 mm

### Technical Data

Attribute	Value
Weight	264 g
Material	Polyoxymethylene
Product family	VTR

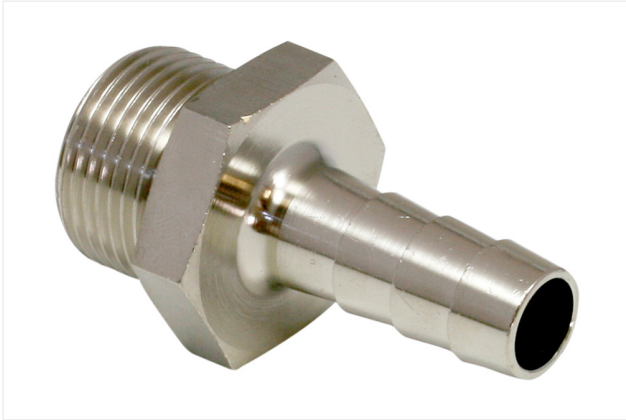
## Vacuum distributor

VTR G3/4-IG 5xG1/2 POM

Part no.:10.09.03.00093

<https://www.schmalz.com/10.09.03.00093>

### Accessories



#### ST G3/4-AG 13 MS-V

Part no.:10.08.03.00164

Thread G1: G3/4"-M

Hose diameter (rec.) d: 13 mm

Material: Brass

Surface: nickel plated

Length L: 8 mm

Nominal diameter dn: 10.4 mm



#### ST G3/4-AG 19 MS-V

Part no.:10.08.03.00165

Thread G1: G3/4"-M

Hose diameter (rec.) d: 19 mm

Material: Brass

Surface: nickel plated

Length L: 7.8 mm

Nominal diameter dn: 16 mm



#### ST G3/4-AG 25 MS-V

Part no.:10.08.03.00166

Thread G1: G3/4"-M

Hose diameter (rec.) d: 25 mm

Material: Brass

Surface: nickel plated

Length L: 8.5 mm

Nominal diameter dn: 18.5 mm

### Contact Schmalz

J. Schmalz GmbH | Johannes-Schmalz-Str.1, 72293 Glatten, Germany | +49 7443 2403-102 | [customercenter@schmalz.de](mailto:customercenter@schmalz.de)

## Vacuum distributor

VTR G3/4-IG 5xG1/2 POM

Part no...:10.09.03.00093

<https://www.schmalz.com/10.09.03.00093>



### ST G1/2-AG 9 MS-V

Part no...:10.08.03.00161

Thread G1: G1/2"-M

Hose diameter (rec.) d: 9 mm

Material: Brass

Surface: nickel plated

Length L: 6.1 mm

Nominal diameter dn: 7.5 mm



### ST G1/2-AG 13 MS-V

Part no...:10.08.03.00162

Thread G1: G1/2"-M

Hose diameter (rec.) d: 13 mm

Material: Brass

Surface: nickel plated

Length L: 6 mm

Nominal diameter dn: 11 mm



### ST G1/2-AG 19 MS-V

Part no...:10.08.03.00163

Thread G1: G1/2"-M

Hose diameter (rec.) d: 19 mm

Material: Brass

Surface: nickel plated

Length L: 10 mm

Nominal diameter dn: 14.3 mm