

## Vacuum distributor

VTR G1/2-IG 5xG3/8 POM

Part no.:10.09.03.00092

<https://www.schmalz.com/10.09.03.00092>

Home > Vacuum Technology for Automation > Vacuum Components > Filters and Connections > Vacuum Distributors > Vacuum / Compressed Air Distributors VTR > VTR G1/2-IG 5xG3/8 POM

### Vacuum/compressed-air distributor



Inlet: G1/2"-IG

Disposals: 5 x thread G3/8"-F

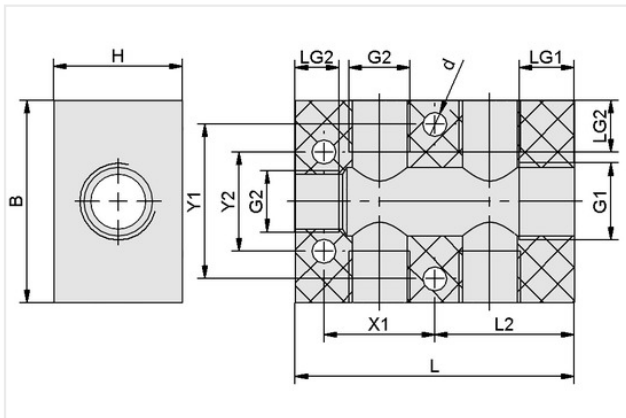
Length L: 76 mm

Width B: 55 mm

Height H: 35 mm

Material: Polyoxymethylene

### Design Data



Attribute	Value
Distribution type	5 x thread G3/8"-F
B	55 mm
d	6.50 mm
G1	G1/2"-F
G2	G3/8"-F
H	35 mm
L	76 mm
L2	38 mm
LG1	15 mm
LG2	14 mm
X1	30.20 mm
Y1	42 mm
Y2	27 mm

### Technical Data

Attribute	Value
Weight	154 g
Material	Polyoxymethylene
Product family	VTR

### Contact Schmalz

J. Schmalz GmbH | Johannes-Schmalz-Str.1, 72293 Glatten, Germany | +49 7443 2403-102 | [customercenter@schmalz.de](mailto:customercenter@schmalz.de)

## Vacuum distributor

VTR G1/2-IG 5xG3/8 POM

Part no...:10.09.03.00092

<https://www.schmalz.com/10.09.03.00092>

### Accessories



#### ST G1/2-AG 9 MS-V

Part no...:10.08.03.00161

Thread G1: G1/2"-M

Hose diameter (rec.) d: 9 mm

Material: Brass

Surface: nickel plated

Length L: 6.1 mm

Nominal diameter dn: 7.5 mm



#### ST G1/2-AG 13 MS-V

Part no...:10.08.03.00162

Thread G1: G1/2"-M

Hose diameter (rec.) d: 13 mm

Material: Brass

Surface: nickel plated

Length L: 6 mm

Nominal diameter dn: 11 mm



#### ST G1/2-AG 19 MS-V

Part no...:10.08.03.00163

Thread G1: G1/2"-M

Hose diameter (rec.) d: 19 mm

Material: Brass

Surface: nickel plated

Length L: 10 mm

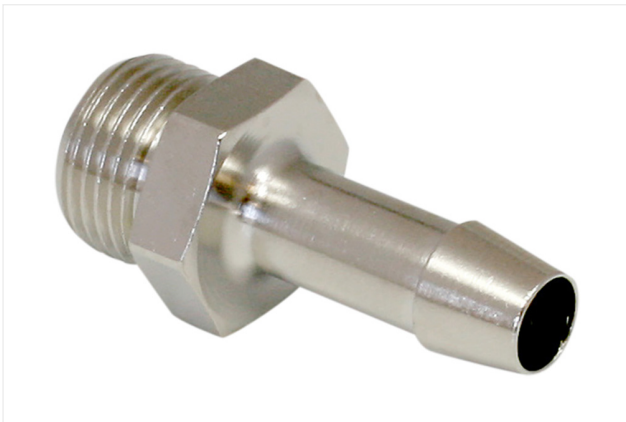
Nominal diameter dn: 14.3 mm

## Vacuum distributor

VTR G1/2-IG 5xG3/8 POM

Part no...:10.09.03.00092

<https://www.schmalz.com/10.09.03.00092>



### ST G3/8-AG 9 MS-V

Part no...:10.08.03.00159

Thread G1: G3/8"-M

Hose diameter (rec.) d: 9 mm

Material: Brass

Surface: nickel plated

Length L: 6 mm

Nominal diameter dn: 7.4 mm



### ST G3/8-AG 13 MS-V

Part no...:10.08.03.00160

Thread G1: G3/8"-M

Hose diameter (rec.) d: 13 mm

Material: Brass

Surface: nickel plated

Length L: 5.9 mm

Nominal diameter dn: 10 mm



### VRS-SB G3/8-AG ISKT O-Ring

Part no...:10.08.06.00045

Thread G1: G3/8"-M

Material: Brass

Surface: nickel plated

## Vacuum distributor

VTR G1/2-IG 5xG3/8 POM

Part no...:10.09.03.00092

<https://www.schmalz.com/10.09.03.00092>



### VRS-S G3/8-AG

Part no...:10.08.06.00049

Thread G1: G3/8"-M

Material: Brass

Surface: nickel plated