

Vacuum distributor

VTR G3/8-IG 9xG1/4 AL

Part no.:10.09.03.00054

<https://www.schmalz.com/10.09.03.00054>

Home > Vacuum Technology for Automation > Vacuum Components > Filters and Connections > Vacuum Distributors > Vacuum / Compressed Air Distributors VTR > VTR G3/8-IG 9xG1/4 AL

Vacuum/compressed-air distributor



Inlet: G3/8"-IG

Disposals: 9 x thread G1/4"-F

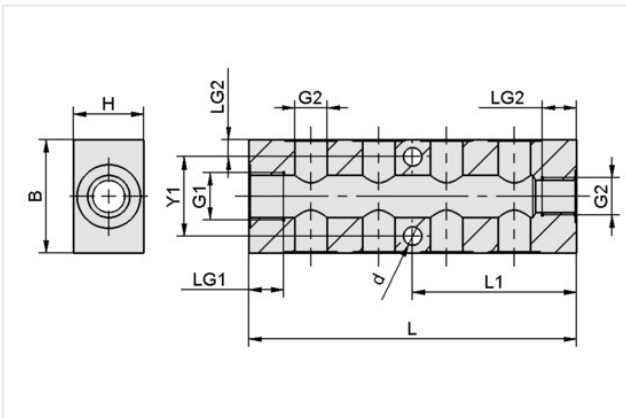
Length L: 116 mm

Width B: 39 mm

Height H: 24 mm

Material: Aluminum

Design Data



Attribute	Value
Distribution type	9 x thread G1/4"-F
B	39 mm
d	6.50 mm
G1	G3/8"-F
G2	G1/4"-F
H	24 mm
L	116 mm
L2	34 mm
LG1	10.50 mm
LG2	10.50 mm
X1	48 mm
Y1	27 mm

Technical Data

Attribute	Value
Weight	240 g
Material	Aluminum
Product family	VTR

Vacuum distributor

VTR G3/8-IG 9xG1/4 AL

Part no.:10.09.03.00054

<https://www.schmalz.com/10.09.03.00054>

Accessories



VRS-SB G1/4-AG ISKT O-Ring

Part no.:10.08.06.00044

Thread G1: G1/4"-M

Material: Brass

Surface: nickel plated



VRS-SB G3/8-AG ISKT O-Ring

Part no.:10.08.06.00045

Thread G1: G3/8"-M

Material: Brass

Surface: nickel plated