

## Vacuum distributor

VTR G3/8-IG 5xG1/4 POM

Part no...:10.09.03.00099

<https://www.schmalz.com/10.09.03.00099>

Home > Vacuum Technology for Automation > Vacuum Components > Filters and Connections > Vacuum Distributors > Vacuum / Compressed Air Distributors VTR > VTR G3/8-IG 5xG1/4 POM

### Vacuum/compressed-air distributor



Inlet: G3/8"-IG

Disposals: 5 x thread G1/4"-F

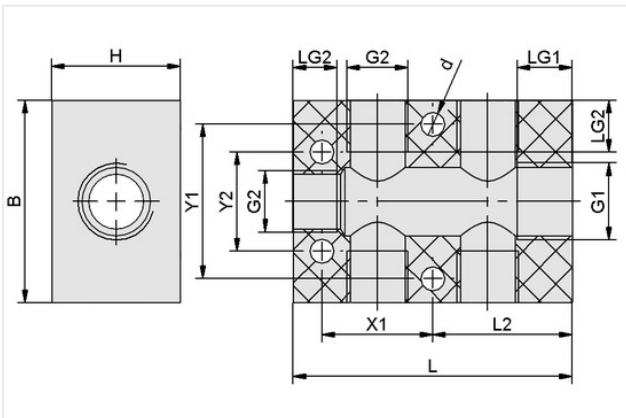
Length L: 72 mm

Width B: 39 mm

Height H: 24 mm

Material: Polyoxymethylene

### Design Data



Attribute	Value
Distribution type	5 x thread G1/4"-F
B	39 mm
d	6.50 mm
G1	G3/8"-F
G2	G1/4"-F
H	24 mm
L	72 mm
L2	36 mm
LG1	10.50 mm
LG2	10.50 mm
Y1	27 mm

### Technical Data

Attribute	Value
Weight	70 g
Material	Polyoxymethylene
Product family	VTR

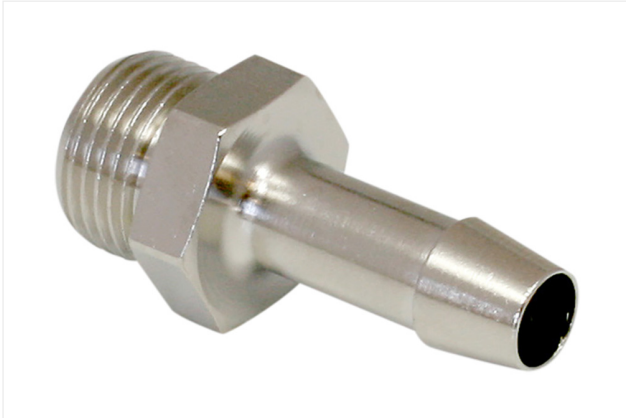
## Vacuum distributor

VTR G3/8-IG 5xG1/4 POM

Part no...:10.09.03.00099

<https://www.schmalz.com/10.09.03.00099>

### Accessories



#### ST G3/8-AG 9 MS-V

Part no...:10.08.03.00159

Thread G1: G3/8"-M

Hose diameter (rec.) d: 9 mm

Material: Brass

Surface: nickel plated

Length L: 6 mm

Nominal diameter dn: 7.4 mm



#### ST G3/8-AG 13 MS-V

Part no...:10.08.03.00160

Thread G1: G3/8"-M

Hose diameter (rec.) d: 13 mm

Material: Brass

Surface: nickel plated

Length L: 5.9 mm

Nominal diameter dn: 10 mm



#### ST G1/4-AG 6 MS-V

Part no...:10.08.03.00156

Thread G1: G1/4"-M

Hose diameter (rec.) d: 6 mm

Material: Brass

Surface: nickel plated

Length L: 5 mm

Nominal diameter dn: 4.5 mm

### Contact Schmalz

J. Schmalz GmbH | Johannes-Schmalz-Str.1, 72293 Glatten, Germany | +49 7443 2403-102 | [customercenter@schmalz.de](mailto:customercenter@schmalz.de)

## Vacuum distributor

VTR G3/8-IG 5xG1/4 POM

Part no...:10.09.03.00099

<https://www.schmalz.com/10.09.03.00099>



### ST G1/4-AG 9 MS-V

Part no...:10.08.03.00157

Thread G1: G1/4"-M

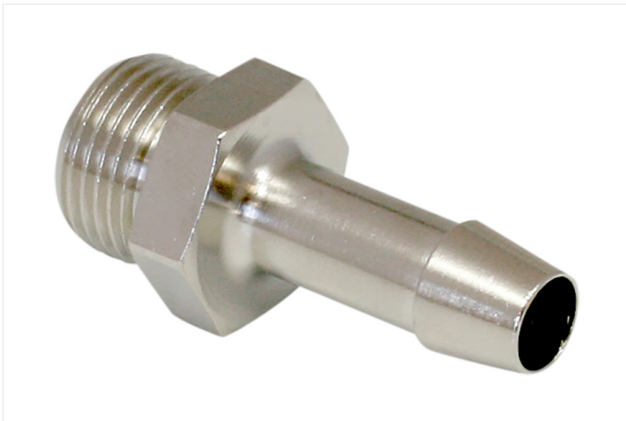
Hose diameter (rec.) d: 9 mm

Material: Brass

Surface: nickel plated

Length L: 5 mm

Nominal diameter dn: 7.5 mm



### ST G1/4-AG 13 MS-V

Part no...:10.08.03.00158

Thread G1: G1/4"-M

Hose diameter (rec.) d: 13 mm

Material: Brass

Surface: nickel plated

Length L: 5.5 mm

Nominal diameter dn: 7.5 mm



### VRS-SB G3/8-AG ISKT O-Ring

Part no...:10.08.06.00045

Thread G1: G3/8"-M

Material: Brass

Surface: nickel plated

## Vacuum distributor

VTR G3/8-IG 5xG1/4 POM

Part no...:10.09.03.00099

<https://www.schmalz.com/10.09.03.00099>



### VRS-S G3/8-AG

Part no...:10.08.06.00049

Thread G1: G3/8"-M

Material: Brass

Surface: nickel plated



### VRS-SB G1/4-AG ISKT O-Ring

Part no...:10.08.06.00044

Thread G1: G1/4"-M

Material: Brass

Surface: nickel plated



### VRS-S G1/4-AG

Part no...:10.08.06.00048

Thread G1: G1/4"-M

Material: Brass

Surface: nickel plated