

## Vacuum distributor

VTR G1/4-IG 9xG1/8 POM

Part no...:10.09.03.00098

<https://www.schmalz.com/10.09.03.00098>

Home > Vacuum Technology for Automation > Vacuum Components > Filters and Connections > Vacuum Distributors > Vacuum / Compressed Air Distributors VTR > VTR G1/4-IG 9xG1/8 POM

### Vacuum/compressed-air distributor



Inlet: G1/4"-IG

Disposals: 9 x thread G1/8"-F

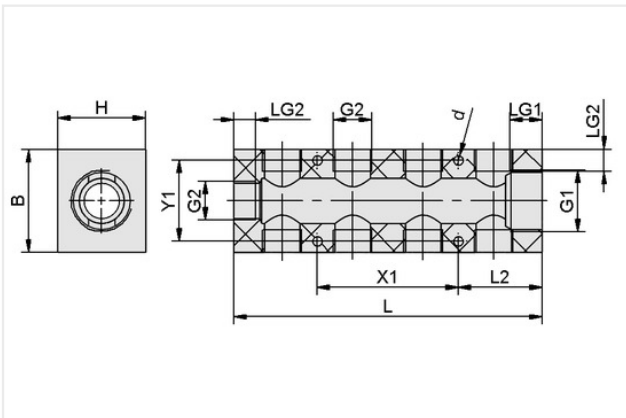
Length L: 90 mm

Width B: 35 mm

Height H: 20 mm

Material: Polyoxymethylene

### Design Data



Attribute	Value
Distribution type	9 x thread G1/8"-F
B	35 mm
d	6.50 mm
G1	G1/4"-F
G2	G1/8"-F
H	20 mm
L	90 mm
L2	45 mm
LG1	8.50 mm
LG2	7.50 mm
Y1	22 mm

### Technical Data

Attribute	Value
Weight	67 g
Material	Polyoxymethylene
Product family	VTR

## Vacuum distributor

VTR G1/4-IG 9xG1/8 POM

Part no.:10.09.03.00098

<https://www.schmalz.com/10.09.03.00098>

### Accessories



#### ST G1/4-AG 6 MS-V

Part no.:10.08.03.00156

Thread G1: G1/4"-M

Hose diameter (rec.) d: 6 mm

Material: Brass

Surface: nickel plated

Length L: 5 mm

Nominal diameter dn: 4.5 mm



#### ST G1/4-AG 9 MS-V

Part no.:10.08.03.00157

Thread G1: G1/4"-M

Hose diameter (rec.) d: 9 mm

Material: Brass

Surface: nickel plated

Length L: 5 mm

Nominal diameter dn: 7.5 mm



#### ST G1/4-AG 13 MS-V

Part no.:10.08.03.00158

Thread G1: G1/4"-M

Hose diameter (rec.) d: 13 mm

Material: Brass

Surface: nickel plated

Length L: 5.5 mm

Nominal diameter dn: 7.5 mm

### Contact Schmalz

J. Schmalz GmbH | Johannes-Schmalz-Str.1, 72293 Glatten, Germany | +49 7443 2403-102 | [customercenter@schmalz.de](mailto:customercenter@schmalz.de)

## Vacuum distributor

VTR G1/4-IG 9xG1/8 POM

Part no...:10.09.03.00098

<https://www.schmalz.com/10.09.03.00098>



### VRS-SB G1/4-AG ISKT O-Ring

Part no...:10.08.06.00044

Thread G1: G1/4"-M

Material: Brass

Surface: nickel plated



### VRS-S G1/4-AG

Part no...:10.08.06.00048

Thread G1: G1/4"-M

Material: Brass

Surface: nickel plated



### ST G1/8-AG 4 MS-ROH

Part no...:10.08.03.00153

Thread G1: G1/8"-M

Hose diameter (rec.) d: 4 mm

Material: Brass

Surface: raw

Length L: 4 mm

Nominal diameter dn: 2.5 mm

## Vacuum distributor

VTR G1/4-IG 9xG1/8 POM

Part no...:10.09.03.00098

<https://www.schmalz.com/10.09.03.00098>



### ST G1/8-AG 6 MS-V

Part no...:10.08.03.00154

Thread G1: G1/8"-M

Hose diameter (rec.) d: 6 mm

Material: Brass

Surface: nickel plated

Length L: 5 mm

Nominal diameter dn: 4.4 mm



### ST G1/8-AG 9 MS-V

Part no...:10.08.03.00155

Thread G1: G1/8"-M

Hose diameter (rec.) d: 9 mm

Material: Brass

Surface: nickel plated

Length L: 5 mm

Nominal diameter dn: 4 mm



### VRS-SB G1/8-AG ISKT O-Ring

Part no...:10.08.06.00043

Thread G1: G1/8"-M

Material: Brass

Surface: nickel plated

## Vacuum distributor

VTR G1/4-IG 9xG1/8 POM

Part no...:10.09.03.00098

<https://www.schmalz.com/10.09.03.00098>



### VRS-S G1/8-AG

Part no...:10.08.06.00047

Thread G1: G1/8"-M

Material: Brass

Surface: nickel plated