

Vacuum distributor

VTR G1/4-IG 9xG1/8 AL

Part no.:10.09.03.00056

<https://www.schmalz.com/10.09.03.00056>

Home > Vacuum Technology for Automation > Vacuum Components > Filters and Connections > Vacuum Distributors > Vacuum / Compressed Air Distributors VTR > VTR G1/4-IG 9xG1/8 AL

Vacuum/compressed-air distributor



Inlet: G1/4"-IG

Disposals: 9 x thread G1/8"-F

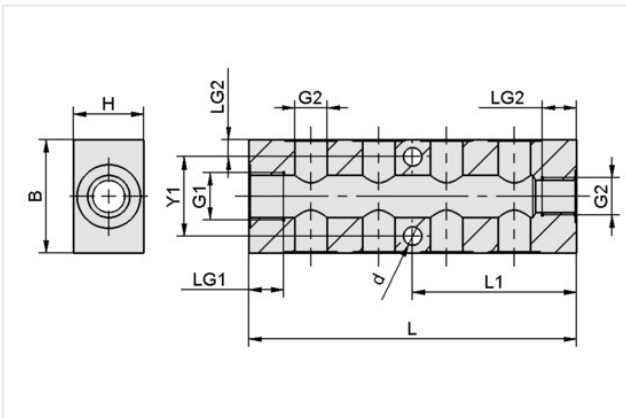
Length L: 90 mm

Width B: 35 mm

Height H: 20 mm

Material: Aluminum

Design Data



Attribute	Value
Distribution type	9 x thread G1/8"-F
B	35 mm
d	6.50 mm
G1	G1/4"-F
G2	G1/8"-F
H	20 mm
L	90 mm
L2	45 mm
LG1	8.50 mm
LG2	7.50 mm
Y1	22 mm

Technical Data

Attribute	Value
Weight	120 g
Material	Aluminum
Product family	VTR

Vacuum distributor

VTR G1/4-IG 9xG1/8 AL

Part no.:10.09.03.00056

<https://www.schmalz.com/10.09.03.00056>

Accessories



VRS-SB G1/4-AG ISKT O-Ring

Part no.:10.08.06.00044

Thread G1: G1/4"-M

Material: Brass

Surface: nickel plated



VRS-SB G1/8-AG ISKT O-Ring

Part no.:10.08.06.00043

Thread G1: G1/8"-M

Material: Brass

Surface: nickel plated