

## Sealing screw without collar

VRS-S G1/2-AG

Part no...:10.08.06.00050

<https://www.schmalz.com/10.08.06.00050>

Home > Vacuum Technology for Automation > Vacuum Components > Filters and Connections > Hoses and Connections > Accessories for Screw Unions > VRS-S G1/2-AG

### Sealing screw without collar

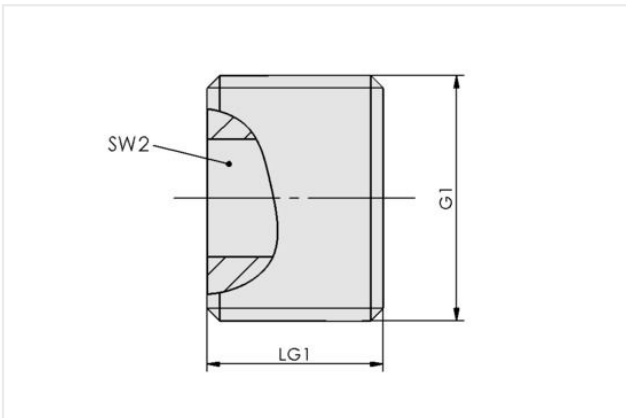


Thread G1: G1/2"-M

Material: Brass

Surface: nickel plated

### Design Data



Attribute	Value
G1	G1/2"-M
LG1	12 mm
SW2	10 mm

### Technical Data

Attribute	Value
Material	Brass
Weight	13 g