

Flat suction cup (round)

<https://www.schmalz.com/10.01.01.00122>



PFYN 95 PU-55 G1/4-IG

Part no.: 10.01.01.00122

Homepage > Vacuum Technology for Automation > Vacuum Components > Vacuum Suction Cups > Flat Suction Cups (Round) > Flat Suction Cups

PFYN > PFYN 95 PU-55 G1/4-IG

Flat suction cup (round) for smooth or slightly rough surfaces



Size: 95

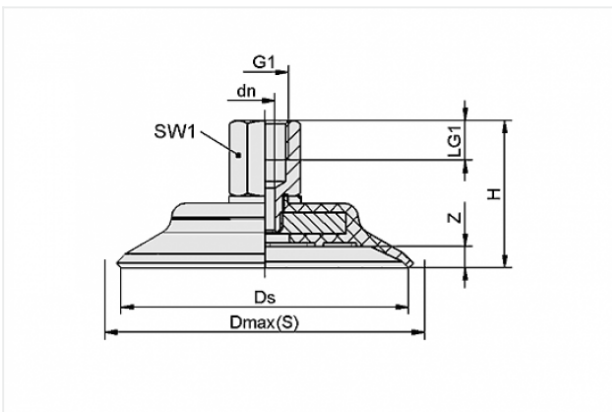
Suction cup material: Polyurethane PU

Material hardness: 55 °Sh

Nipple material: Aluminium

Vacuum connection: G1/4"-F

Design Data



Attribute	Value
-----------	-------

dn	5.5 mm
----	--------

Dmax(S)	102 mm
---------	--------

Ds	95 mm
----	-------

G1	G1/4"-F
----	---------

H	41.5 mm
---	---------

LG1	11 mm
-----	-------

SW1	17 mm
-----	-------

Z	6 mm
---	------

Technical Data

Contact to Schmalz

J. Schmalz GmbH | Johannes-Schmalz-Straße, 72293 Glatten, Deutschland | +49 7443 2403-102 | customercenter@schmalz.de

Attribute	Value
Suction force	350 N
Volume	35 cm ³
Curve radius (min) (convex)	200 mm
Internal hose diameter (recom.)	6 mm
Size	95
Number of folds	0
Suction cup material	Polyurethane PU
Material hardness	55 °Sh
Weight	104.9 g
Product family	PFYN

Note:

- Suction force: The specified suction forces are theoretical values at a vacuum of -0.6 bar and with a smooth, dry workpiece surface - they do not include a safety factor
- Hose diameter: The recommended hose diameter refers to a hose length of approx. 2 m

Spare Parts



PFG 95 PU-55 N009 M10x1.25-IG

Part no. 10.01.01.00060

Flat suction cup (round) for smooth or slightly rough surfaces

Size: 95

Suction cup material: Polyurethane PU

Material hardness: 55 °Sh

Connection thread: M10x1.25-F

Accessories

Contact to Schmalz

J. Schmalz GmbH | Johannes-Schmalz-Straße, 72293 Glatten, Deutschland | +49 7443 2403-102 | customercenter@schmalz.de

**SU 100**

Part no. 10.01.01.12840

Cover for suction cup

Size: 100

Clamping range: 110.0 ... 115.0 mm

Temperature resistance: 80 °C