

# Flat suction cup (round)

<https://www.schmalz.com/10.01.01.00094>



PFYN 95 NBR-55 G1/4-IG

Part no.: 10.01.01.00094

Homepage > Vacuum Technology for Automation > Vacuum Components > Vacuum Suction Cups > Flat Suction Cups (Round) > Flat Suction Cups

PFYN > PFYN 95 NBR-55 G1/4-IG

## Flat suction cup (round) for smooth or slightly rough surfaces



Size: 95

Suction cup material:

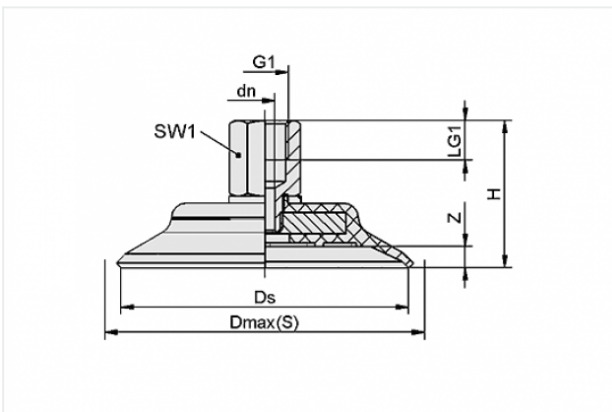
Nitrile rubber NBR

Material hardness: 55 °Sh

Nipple material: Aluminium

Vacuum connection: G1/4"-F

### Design Data



| Attribute | Value |
|-----------|-------|
|-----------|-------|

|    |        |
|----|--------|
| dn | 5.5 mm |
|----|--------|

|         |        |
|---------|--------|
| Dmax(S) | 102 mm |
|---------|--------|

|    |       |
|----|-------|
| Ds | 95 mm |
|----|-------|

|    |         |
|----|---------|
| G1 | G1/4"-F |
|----|---------|

|   |         |
|---|---------|
| H | 41.5 mm |
|---|---------|

|     |       |
|-----|-------|
| LG1 | 11 mm |
|-----|-------|

|     |       |
|-----|-------|
| SW1 | 17 mm |
|-----|-------|

|   |      |
|---|------|
| Z | 6 mm |
|---|------|

### Technical Data

#### Contact to Schmalz

J. Schmalz GmbH | Johannes-Schmalz-Straße, 72293 Glatten, Deutschland | +49 7443 2403-102 | [customercenter@schmalz.de](mailto:customercenter@schmalz.de)

| Attribute                       | Value              |
|---------------------------------|--------------------|
| Suction force                   | 350 N              |
| Volume                          | 35 cm <sup>3</sup> |
| Curve radius (min) (convex)     | 200 mm             |
| Internal hose diameter (recom.) | 6 mm               |
| Size                            | 95                 |
| Number of folds                 | 0                  |
| Suction cup material            | Nitrile rubber NBR |
| Material hardness               | 55 °Sh             |
| Weight                          | 104.9 g            |
| Product family                  | PfYN               |

#### Note:

- Suction force: The specified suction forces are theoretical values at a vacuum of -0.6 bar and with a smooth, dry workpiece surface - they do not include a safety factor
- Hose diameter: The recommended hose diameter refers to a hose length of approx. 2 m

## Spare Parts



#### **PFG 95 NBR-55 N009 M10x1.25-IG**

Part no. 10.01.01.00020

Flat suction cup (round) for smooth or slightly rough surfaces

Size: 95

Suction cup material:

Nitrile rubber NBR

Material hardness: 55 °Sh

Connection thread: M10x1.25-F

## Accessories

### Contact to Schmalz

**SU 100**

Part no. 10.01.01.12840

Cover for suction cup

Size: 100

Clamping range: 110.0 ... 115.0 mm

Temperature resistance: 80 °C