

Bellows suction cups (round)

FSDC 40 SI-HD-65 G1/4-IG

Part no...:10.01.06.05237

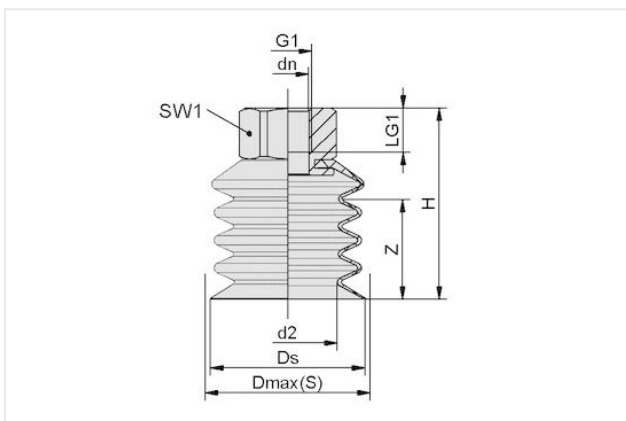
<https://www.schmalz.com/10.01.06.05237>

Home > Vacuum Technology for Automation > Vacuum Components > Vacuum Suction Cups > Suction Cups for Packaging > Bellows Suction Cups
FSDC > FSDC 40 SI-HD-65 G1/4-IG

Bellows suction cup (round) for handling bakery products

Size: 40
Suction cup material: Silicone SI-HD
Material hardness [Shore A]: 65 Shore A
Material characteristics: FDA
Nipple material: Aluminum
Connection: G1/4-IG
Number of folds: 4.5

Design Data



Attribute	Value
H	52 mm
d2	26.90 mm
dn	11.40 mm
Dmax(S)	45 mm
Ds	42 mm
G1	G1/4"-F
LG1	12 mm
SW1	24 mm
Z (Stroke)	27 mm

Technical Data

Attribute	Value
Size	40
Number of folds	4.50
Suction cup material	Silicone SI-HD
Product family	FSDC
Material hardness [Shore A]	65 Shore A
Material characteristics	FDA
Nipple material	Aluminum
Connection	G1/4-IG
Suction force (-600mbar)	35.90 N
Pull-off force	39 N

Contact Schmalz

J. Schmalz GmbH | Johannes-Schmalz-Str.1, D-72293 Glatten | +49 7443 2403-102 |
customercenter@schmalz.de

Bellows suction cups (round)

FSDC 40 SI-HD-65 G1/4-IG

Part no...:10.01.06.05237

<https://www.schmalz.com/10.01.06.05237>

Volume	30.60 cm ³
--------	-----------------------

Spare parts



FSDC 40 SI-HD-65 N059

Part no...:10.01.06.04598

Size: 40
Suction cup material: Silicone SI-HD
Material hardness [Shore A]: 65 Shore A
Nipple family: N059
Number of folds: 4.5



SA-NIP N059 G3/8-AG

Part no...:10.01.06.05231

Nipple family: N059
Thread G1: G3/8"-M
Length L1: 21.3 mm
Fitting length: 7 mm
Material: Aluminum



SA-NIP N059 G1/4-IG

Part no...:10.01.06.04227

Nipple family: N059
Thread G1: G1/4"-F
Length L1: 18.3 mm
Fitting length: 14 mm
Material: Aluminum

Contact Schmalz

J. Schmalz GmbH | Johannes-Schmalz-Str.1, D-72293 Glatten | +49 7443 2403-102 | customercenter@schmalz.de



Bellows suction cups (round)

FSDC 40 SI-HD-65 G1/4-IG

Part no...:10.01.06.05237

<https://www.schmalz.com/10.01.06.05237>

Contact Schmalz

J. Schmalz GmbH | Johannes-Schmalz-Str.1, D-72293 Glatten | +49 7443 2403-102 |
customercenter@schmalz.de